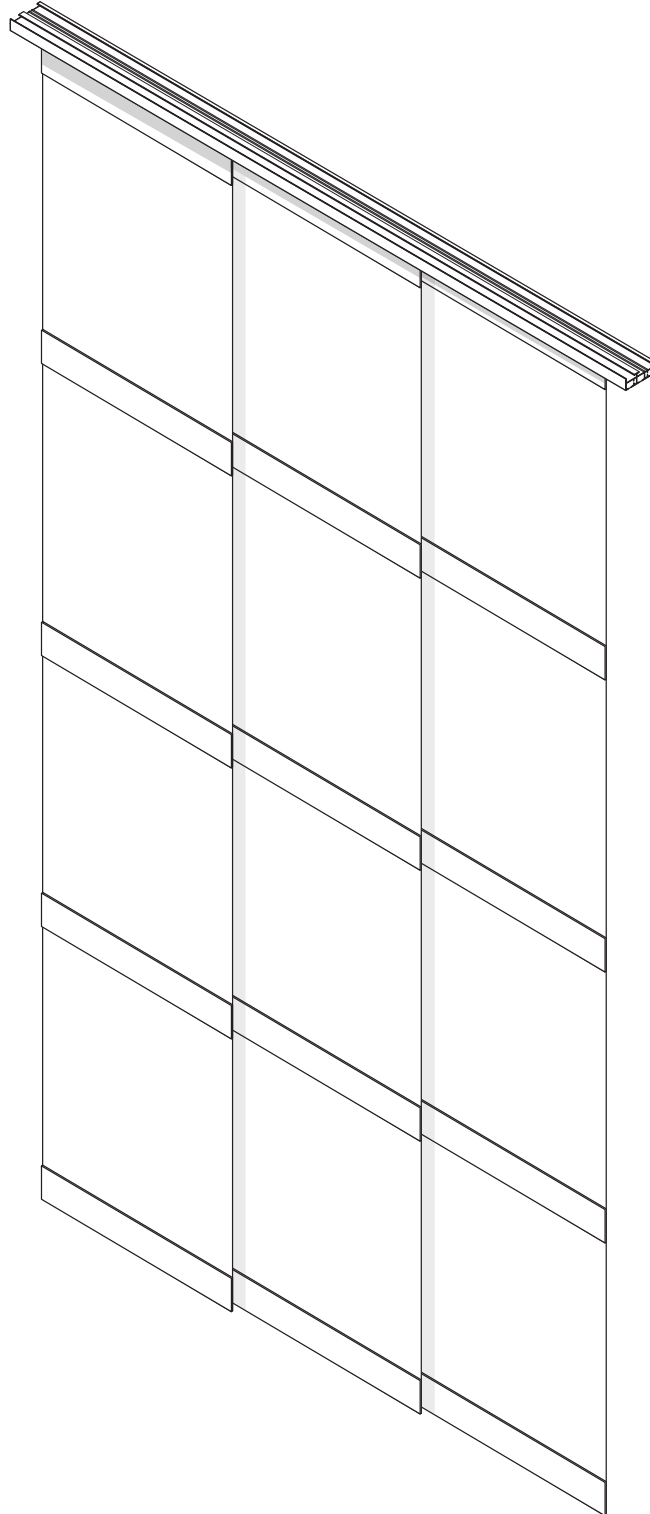
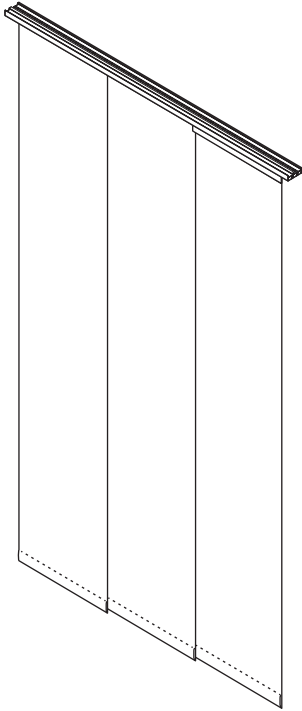


Panel System

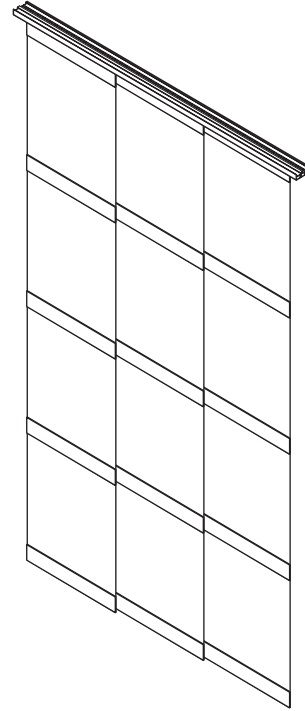


Types

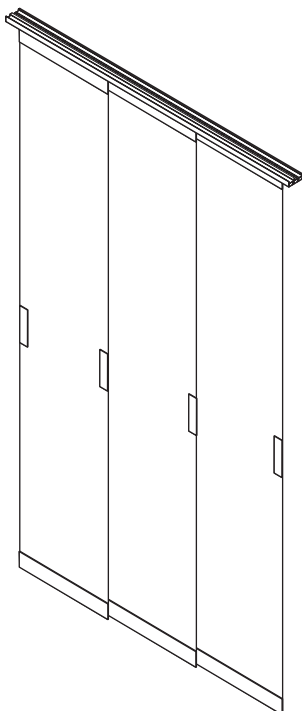
Panel System with sewn hem and bottom weight profile



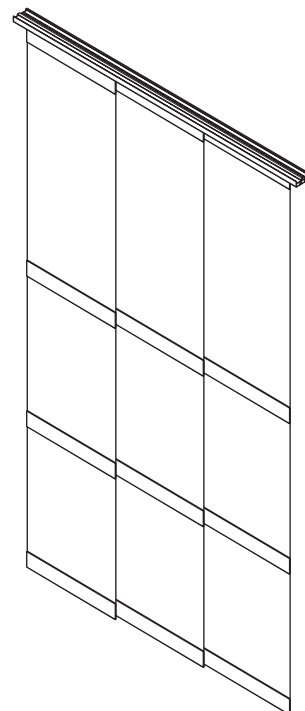
Panel System with 50mm wooden slats, symmetrical placement



Panel System with 50mm wooden slats as grips (not attached upon delivery)

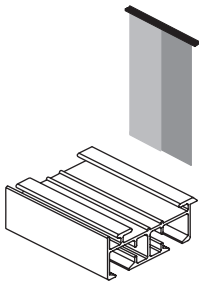


Panel System with 50mm wooden slats, asymmetrical placement

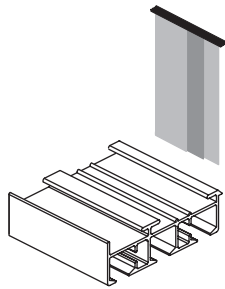


*These sketches are examples.
You decide the number of slats
and their placement.*

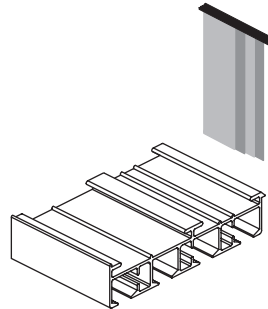
Fittings & other parts



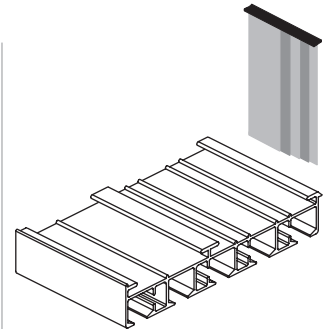
Rail, 2 tracks
White or alu colour
H 13 x W 40mm



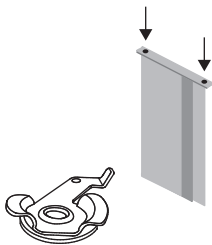
Rail, 3 tracks
White or alu colour
H 13 x W 60mm



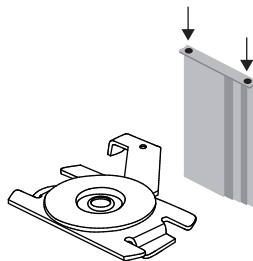
Rail, 4 tracks
White or alu colour
H 13 x W 67mm



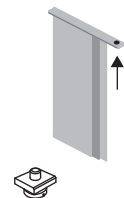
Rail, 5 tracks
White or alu colour
H 15 x W 83mm



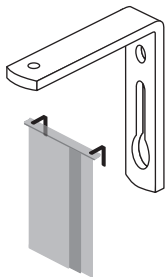
Ceiling fitting 2-4 tracks
Metal colour



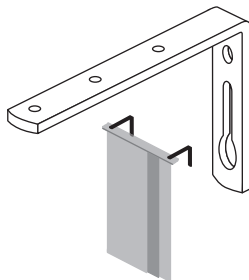
Ceiling fitting 5 tracks
Metal colour



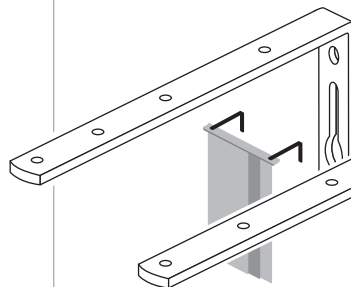
Stop screw
Metal colour



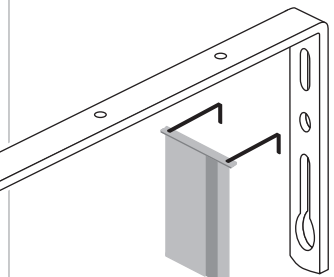
Wall fitting 60mm
White or alu colour



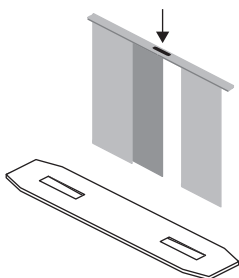
Wall fitting 100mm
White or alu colour



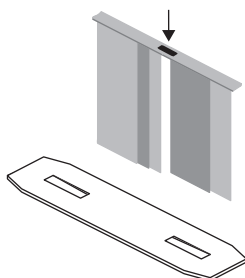
Wall fitting 150mm
White or alu colour



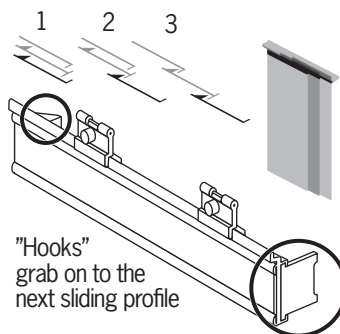
Wall fitting 250mm
White or alu colour



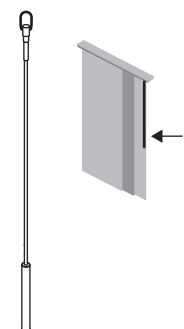
Track rail connector
2-4 tracks, metal colour



Track rail connector
5 tracks, metal colour



Sliding profile connectors
White or grey plastic

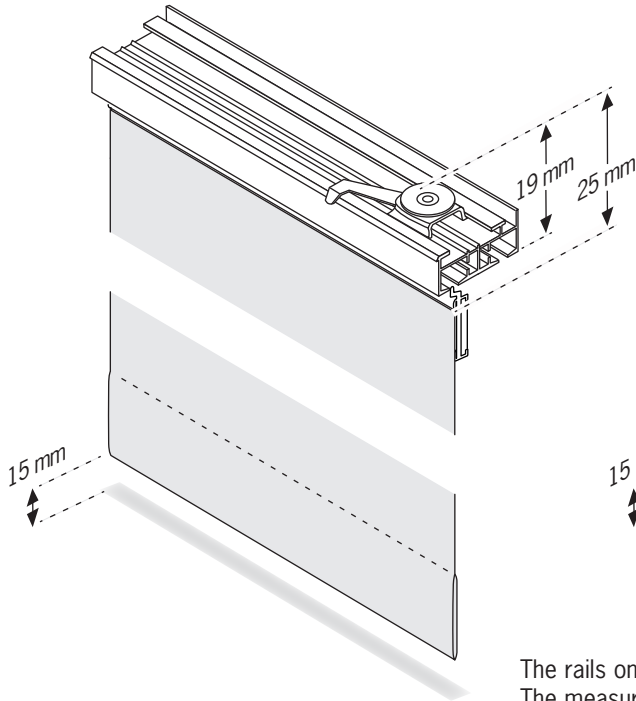


Control rod stain-
less steel 1140mm
or white plastic
1250/2000mm

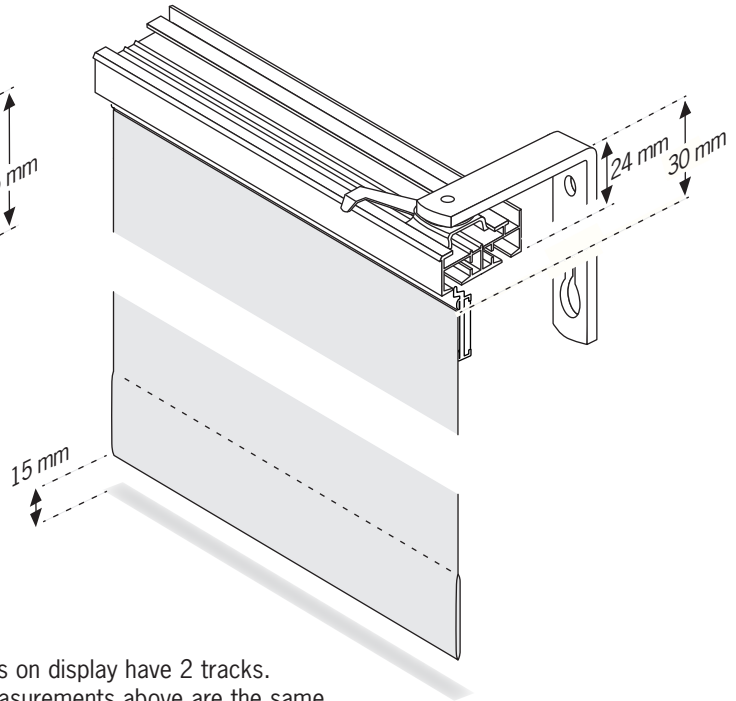
Measurements & mounting

All measurements in mm

Ceiling mounting

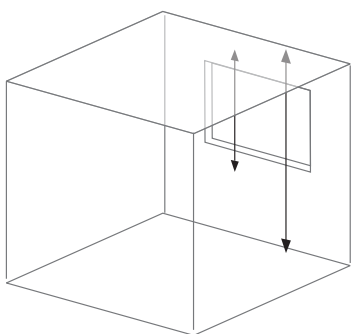


Wall mounting

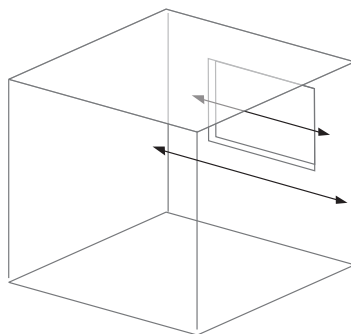


The rails on display have 2 tracks. The measurements above are the same, regardless of number of tracks. 15mm of space between the fabric and the floor is just a recommendation.

Mounting on the wall or ceiling

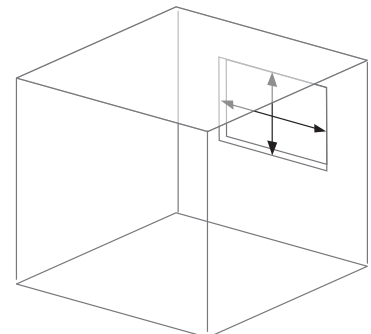


Measure the distance between the ceiling, or a point on the wall, down to the point where you want the Panel System to end. This is your system height. The fabric height should be 25mm less than the system height when mounting the rail to the ceiling and 30mm less when mounting on the wall.



Measure the width between two points on the wall or in the ceiling. This is your system width. Subtract 10mm from the total width if you want the rail mounted from wall to wall. The fabric width is up to you. We recommend a certain overlap though.

Recess mounting



Measure the total width within the window recess. Subtract 10mm from this measurement and use as system width. The system height should be 15mm less than the measured recess height. This means that the fabric height should be ordered 40mm less than the recess height.