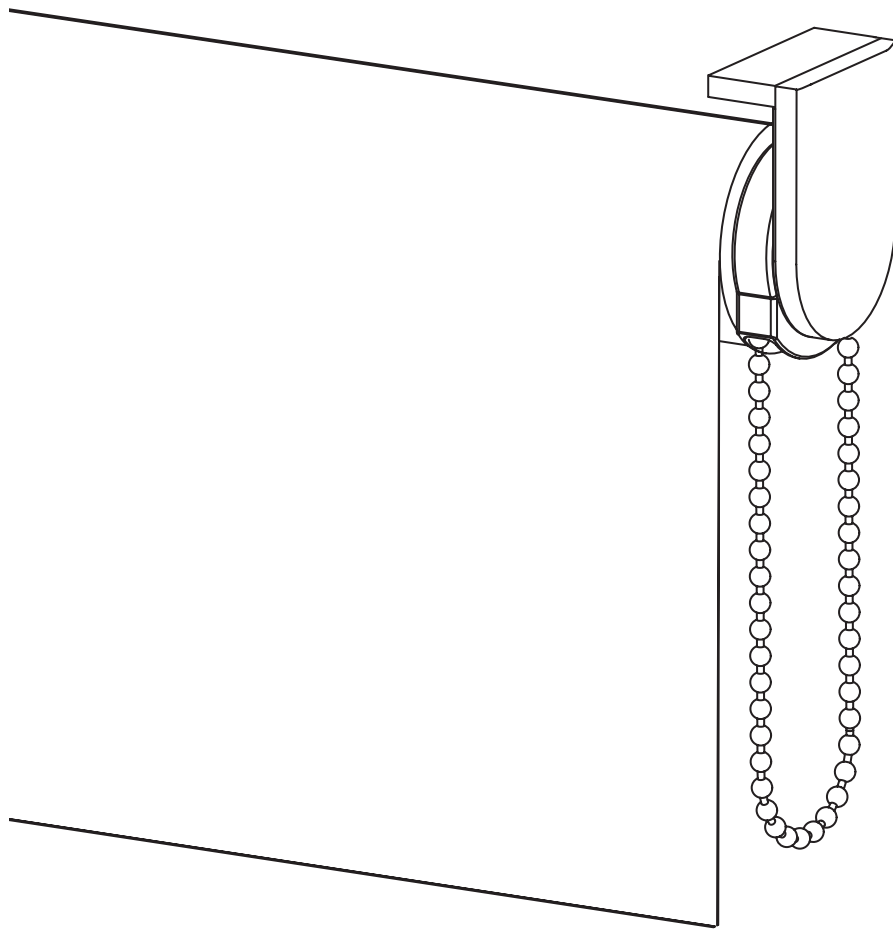


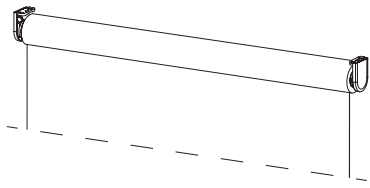
Roller Blinds

30 to 80 mm
tube dimension



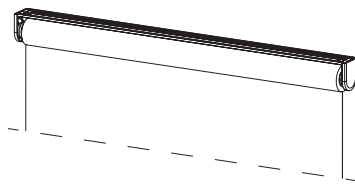
2: Types

Type overview



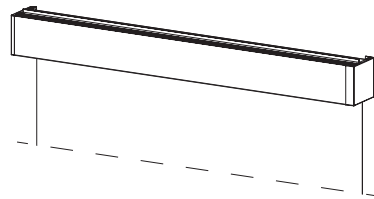
Universal fittings

Available for Types S, M and L
(Please note: not for spring roller b.)
Fitting colours on page 4



Mounting profile

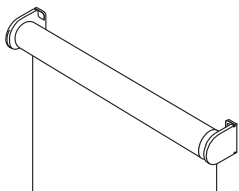
Available for Types S and M
Fittings for wall & ceiling included
More info on page 3



Cassette

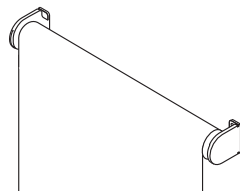
Available for Types S, M and L
Fittings for wall & ceiling included
More info on page 3

Rolling direction



Behind tube

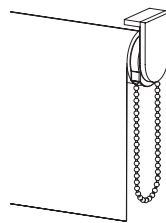
Available for all types



In front of tube

Available for all types
except with cassette

Chain command options

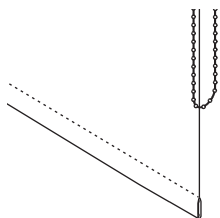


Chain & mechanism in plastic: white, light grey, dark grey, beige or black
500, 750, 1000, 1250, 1500, 1750 & 2000 mm control length supplied with endless chain. Other lengths with chain connector.

Metal chain at additional cost.

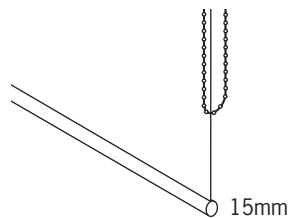
Child safe devices at additional cost.

Fassons / Options for the bottom edge



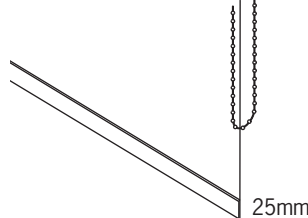
Standard

Sewn or welded tunnel
(depending on fabric quality)
Hidden bottom rod



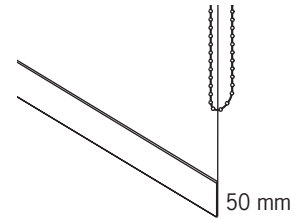
Fasson 30

Visible round rod with
15mm diameter
Colour white or alu



Fasson 40

25mm alu strip
Anodized, brushed
or black

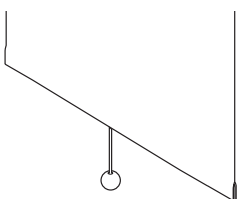


Fasson 20

Fasson 20

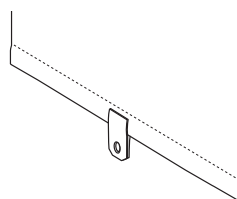
50mm wooden slat
See colour swatchers

Options for the bottom edge (only for spring roller blinds)



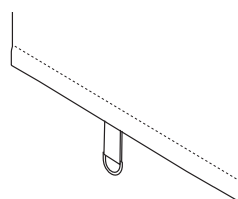
Puller cord

Cord matches fabric
Cord length of choice
Wooden sphere as tassel



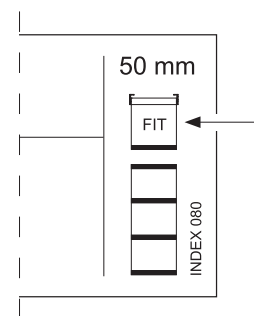
Leather strap

Natural or black
Length approx. 80mm



Fabric strap

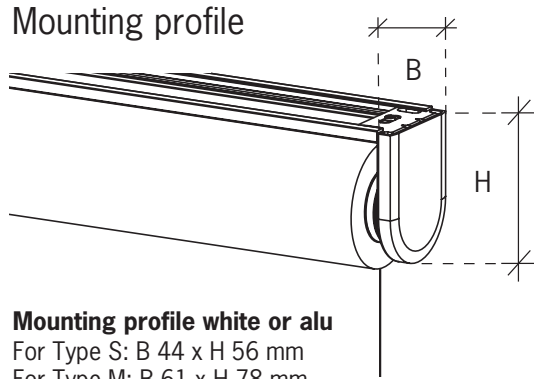
Strap matches fabric
Strap length of choice
Strap ring white or chrome



5 wooden slats in the collection M03 are marked "FIT" on the label. These are available with plastic fitting end caps in matching colours.

3: Fittings and other parts

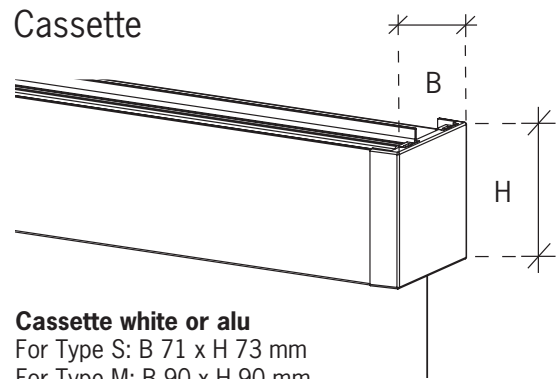
Mounting profile



Mounting profile white or alu

For Type S: B 44 x H 56 mm
For Type M: B 61 x H 78 mm

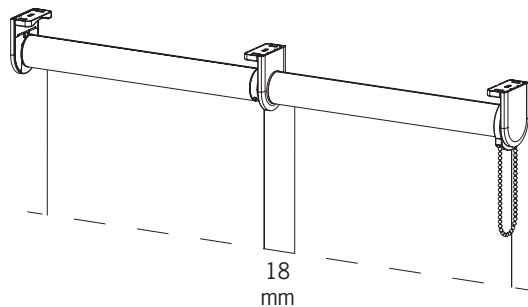
Cassette



Cassette white or alu

For Type S: B 71 x H 73 mm
For Type M: B 90 x H 90 mm
For Type L: B 121 x H 120 mm

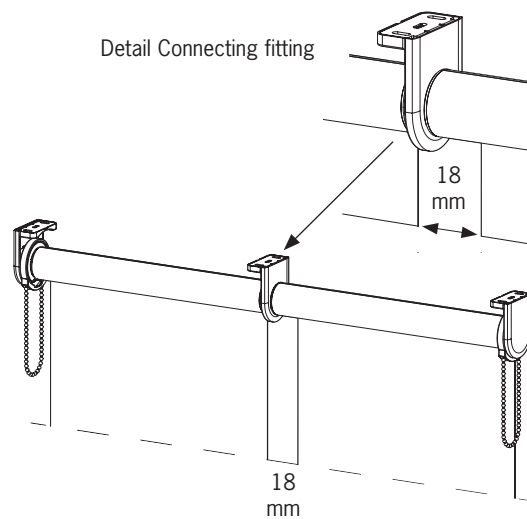
Connected roller blinds



2 blinds connected / Control simultaneous

For chain command types M+L, tube diameter 40 - 80 mm
Available with plastic fitting covers, dimensions and colours to be found on page 4, or with cassette
Chain command either left or right
(Also available with motor)

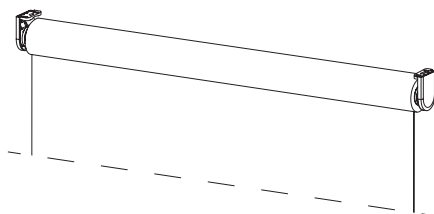
Detail Connecting fitting



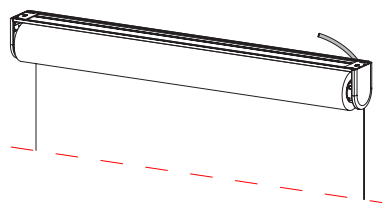
2 blinds connected / Control individual

For chain command types M+L, tube diameter 40 - 80 mm
Available with plastic fitting covers, dimensions and colours to be found on page 4, or with cassette
Chain command always 1 on the left and 1 on the right
(Also available with motor)

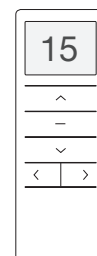
Motor



Shown with standard fittings & 30 mm tube



Shown with mounting profile and 42 mm tube



Rollo with battery motor 12V including integrated radio receiver

For Type S, tube dimension 30 mm
Available with standard universal fittings, mounting profile or cassette
Motor placed left or right inside the tube
Micro-USB charger for wall socket

Rollo mit Motor 230V Available with or without radio receiver

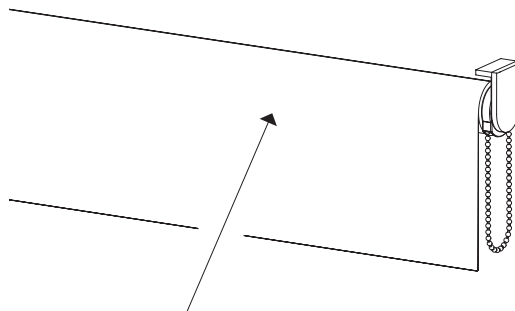
For Types M+L, tube dimension 40 - 80 mm
Available with standard universal fittings, mounting profile or cassette
Motor placed left or right inside the tube
3 meter cable for direct power connection

Remote control

15 channels
For motors 12 & 230V with radio receiver.
Also available with wall-fitted 1-channel remote switch

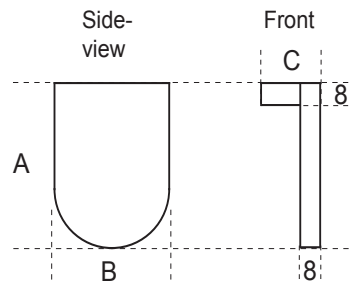
4: Measurements and mounting

All measurements in mm



Plastic mechanism with aluminium fittings in white, beige, light grey, dark grey or black. 3 sizes (**S**mall, **M**edium, **L**arge) with 8 different types of fitting covers according to the chart and colour overview on this page.

Fitting dimensions	Tube mm	(S) 30	(M) 40-50	(L) 60-80
A (Height)		56	78	108
B (Width)		43	62	86
C ("Depth")		22	29	44



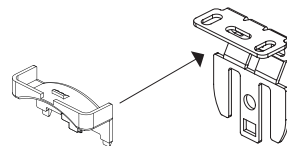
Plastic fitting covers (Standard)

White Beige Light grey Dark grey Black



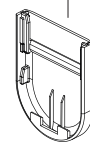
Metal cover fittings (additional cost)

Alu White Stainless Alu



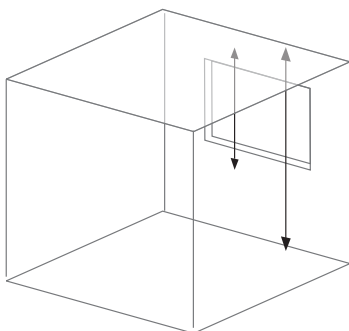
Laquered alu fitting

Cover cap for mounting screws

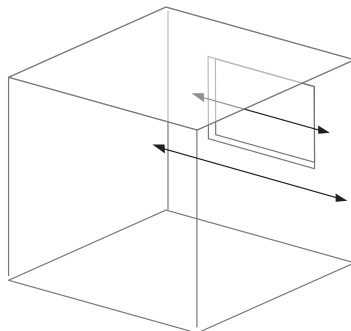


Cover cap for side of fitting

Mounting on the wall or ceiling

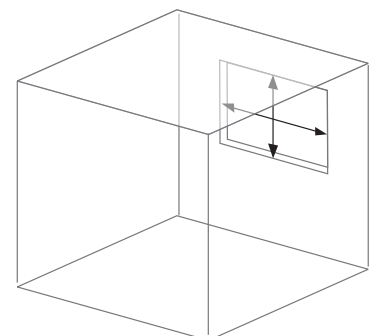


Measure the distance between the ceiling, or a point on the wall, down to the point where you want the Roller Blind to end. This is your system height.



Measure the width between two points on the wall or in the ceiling. This is your system width. Subtract 5mm from the total width if you want the Roller Blind mounted from wall to wall.

Recess mounting



Measure the total width within the window recess. Subtract 5mm from this measurement and use as system width. The system height should be identical to the recess height.