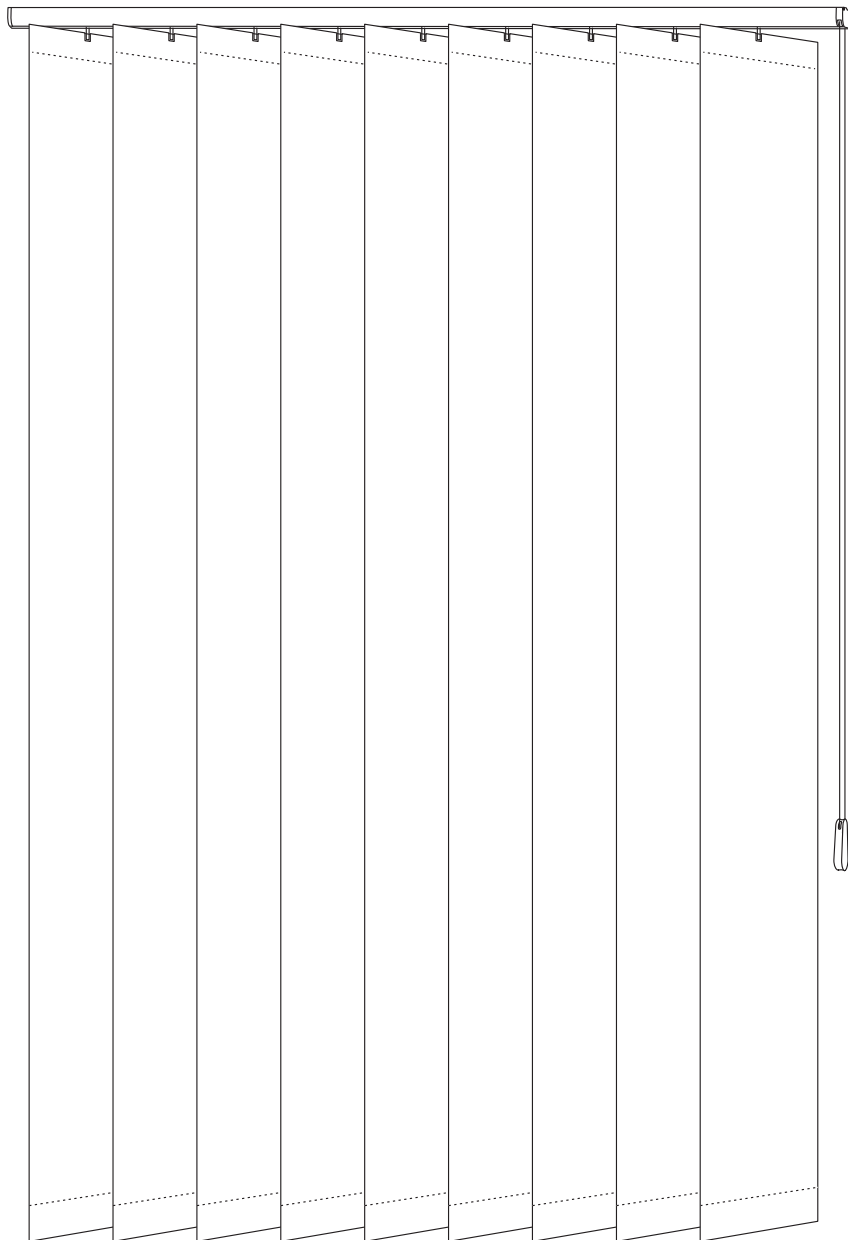
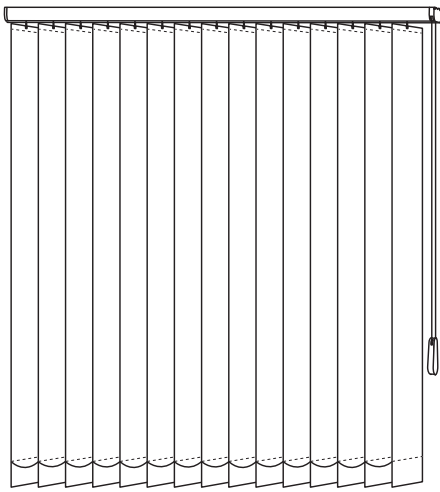


# System R Vertical Blinds

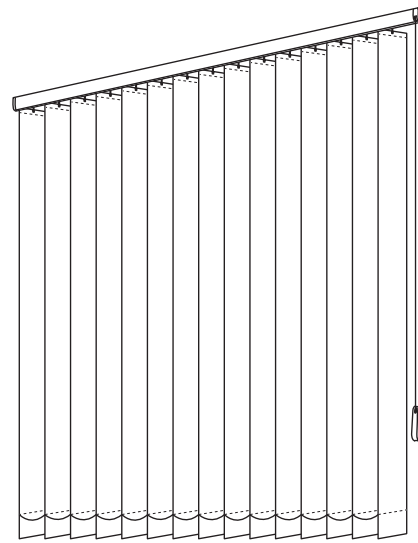
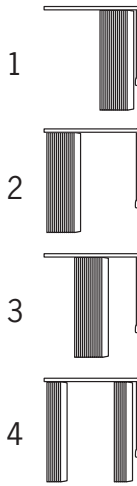


# Types



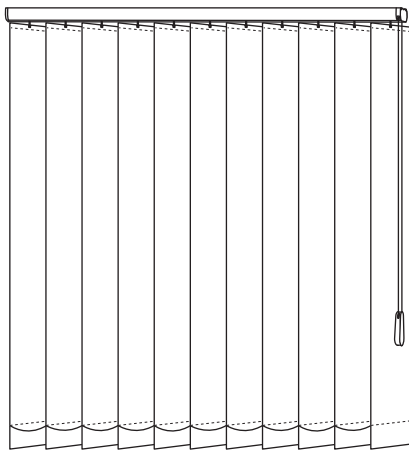
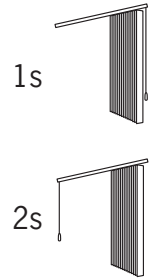
Vertical Blinds, 89mm

Package types

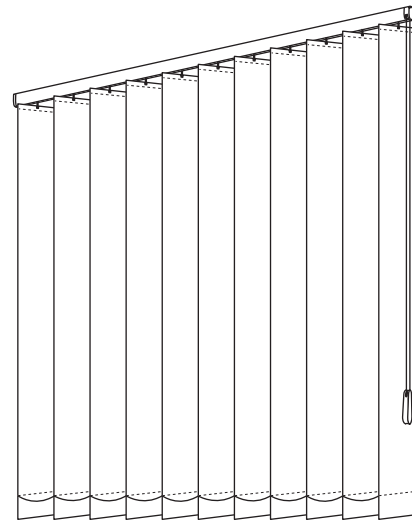


Vertical Blinds, 89mm Slope

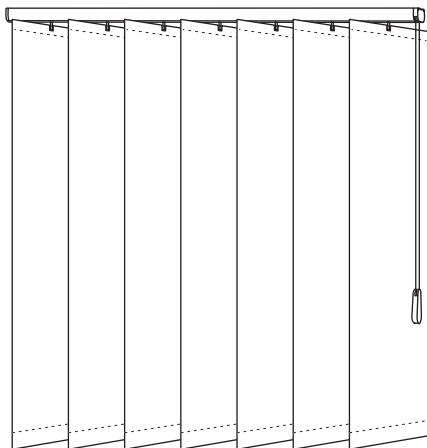
Package types



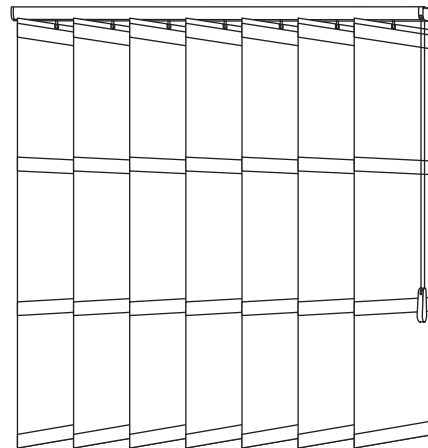
Vertical Blinds, 127mm



Vertical Blinds, 127mm Slope

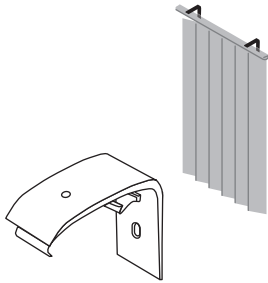


System R, 250mm

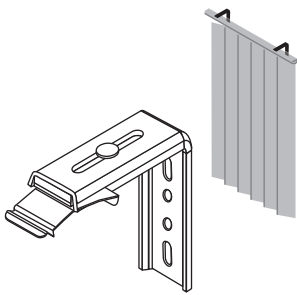


System R, 250mm with wooden slats

# Fittings & other parts

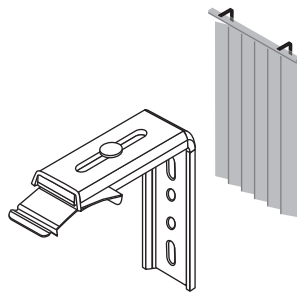


Wall fitting  
for 89 & 127mm slats  
White or aluminium



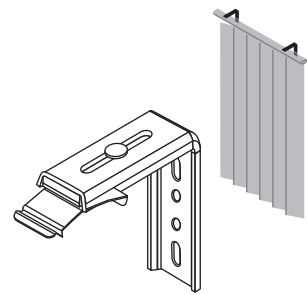
Wallfitting adjustable  
for 89mm slat

Wall distance 53 - 111mm  
White or aluminium



Wallfitting adjustable  
for 127mm slat

Wall distance 34 - 92mm  
White or aluminium

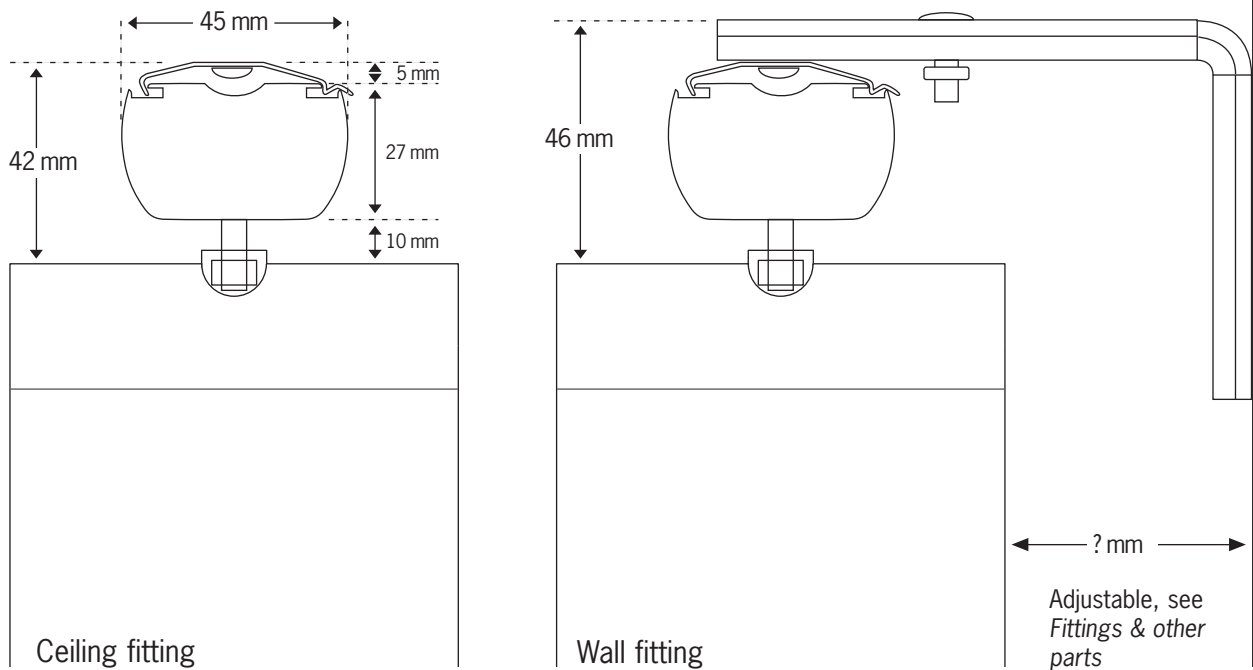


Wallfitting adjustable  
for 250mm slat / System R

Wall distance 10 - 120mm  
White or aluminium

# Measurements & mounting

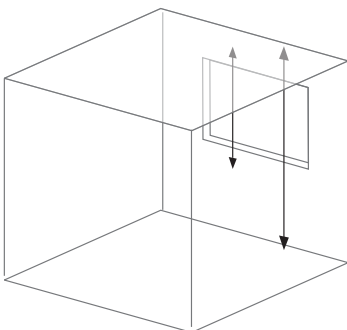
Measurements in mm



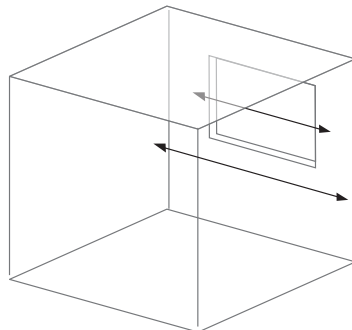
## Package/stack width & Number of slats

Slat ↔		Rail length in mm										
		1000	1500	2000	2500	3000	3500	4000	4500	5000	5500	6000
89mm	Stack width mm	146	209	272	326	389	452	506	569	632	686	749
	Amount of slats	12	19	26	32	39	46	52	59	66	72	79
127mm	Paketbreite mm	110	155	191	236	272	317	353	398	443	479	524
	Amount of slats	8	13	17	22	26	31	35	40	45	49	54
250mm	Stack width mm	180	200	220	240	260	280	300	320	340		
	Amount of slats	6	8	10	12	14	16	18	20	22		

## Mounting to the wall or ceiling

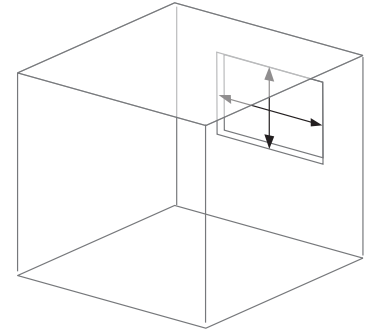


Measure the distance between the ceiling, or a point on the wall, down to the point where you want the System R / Vertical Blind to end. This is your system height. Allow a distance of 20mm between fabric and floor.



Measure the width between two points on the wall or in the ceiling. This is your system width. Subtract 10mm from the total width if you want the rail mounted from wall to wall.

## Recess fitting



Measure the total width within the window recess. Subtract 10mm from this measurement and use as system width. The system height should be 20mm less than the measured recess height.