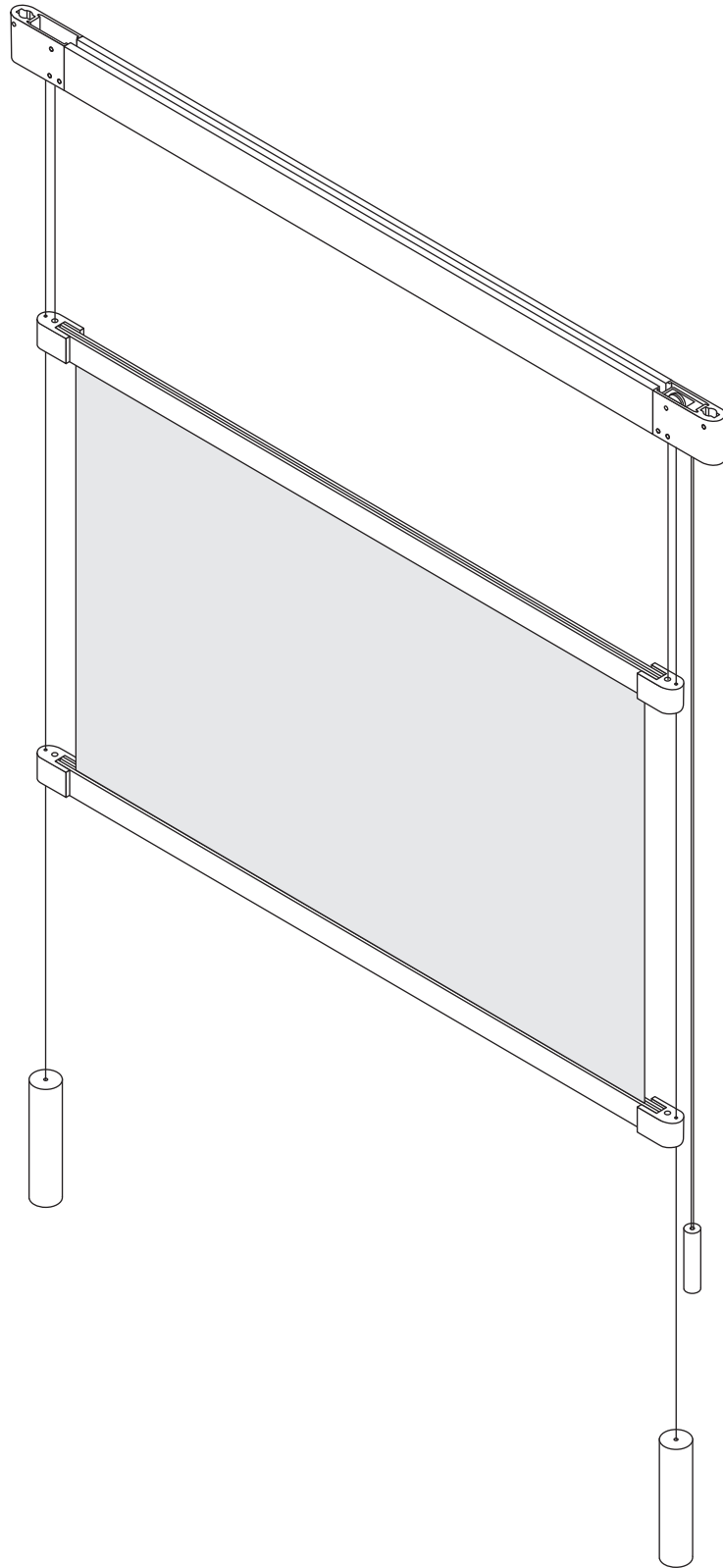
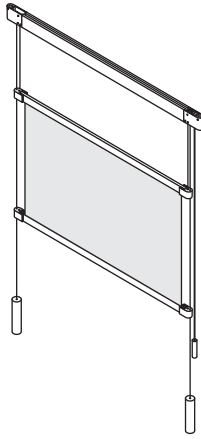


System W



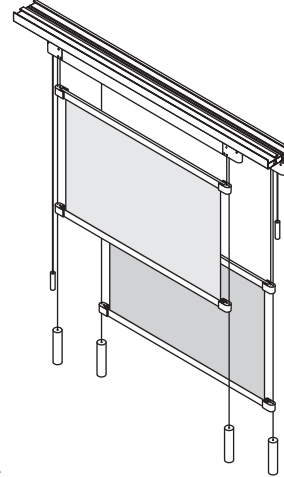
Types

Wall- or ceiling mounting
(System vertically adjustable)

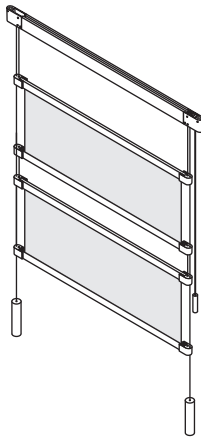


W1
One fond (=textile element)
Control left or right

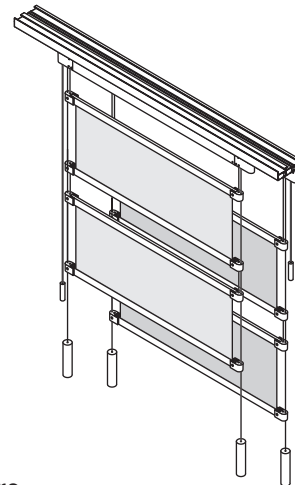
Mounting in a track rail
(Vertically & horizontally adjustable)



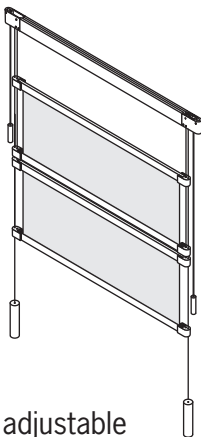
W1 with gliders
(Example with two systems)



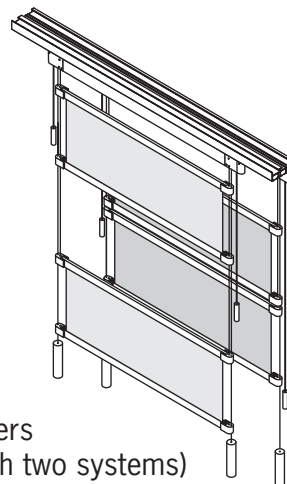
W2
Two connected fonds
Control left or right



W2 with gliders
(Example with two systems)

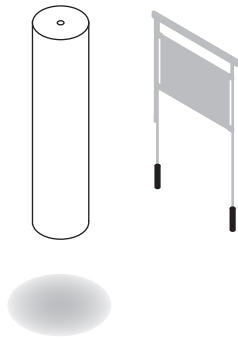


W3
Two individually adjustable
fonds
Control left or right

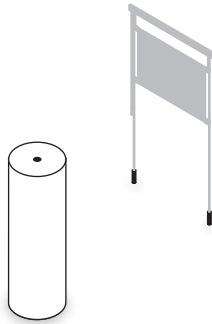


W3 with gilders
(Example with two systems)

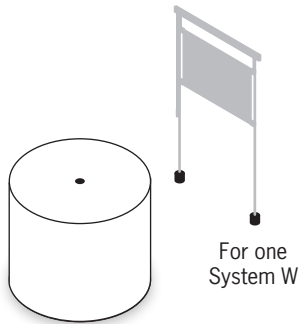
Fittings & other parts



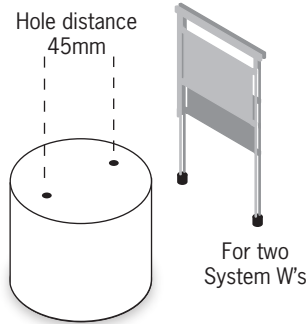
Free hanging weight
Aluminium, H 100 x W 30mm



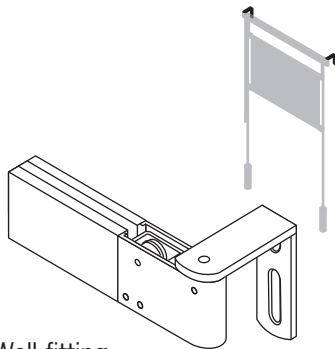
Wire case (for fixed mounting)
Aluminium, H 70 x W 30mm



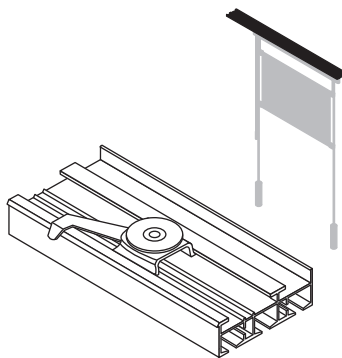
Floor load 1 (stands on the floor)
Aluminium, H 60 x W 70mm



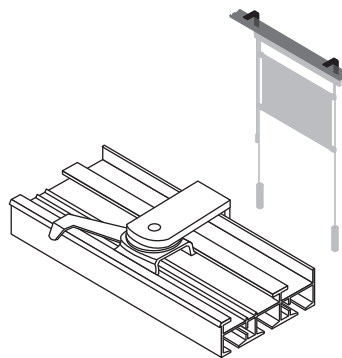
Floor load 2 (stands on the floor)
Aluminium, H 60 x W 70mm



Wall fitting
White or alu, length 60mm



3-track rail
White or alu
Ceiling fittings

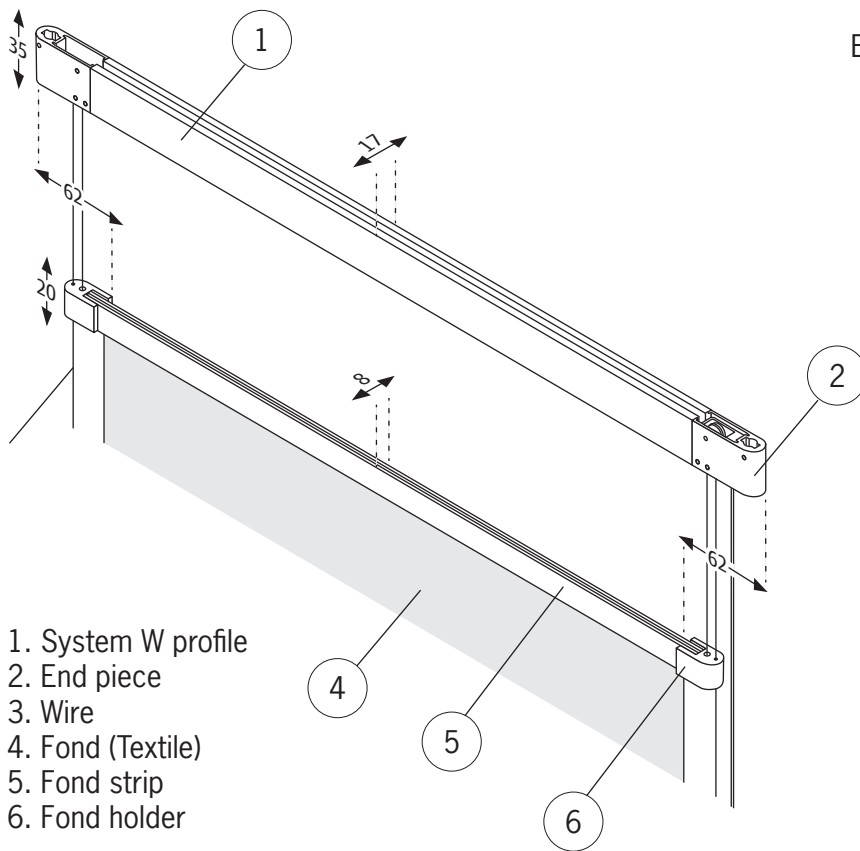


3-track rail
White or alu
Wall fittings

Please always allow one free track inbetween two System W's. Therefore, 2 systems can overlap in one track rail. Should you wish to fit more systems, multiple track rails can be fitted behind eachother.

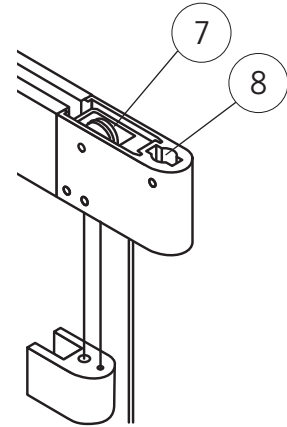
Measurements & mounting

Measurements in mm



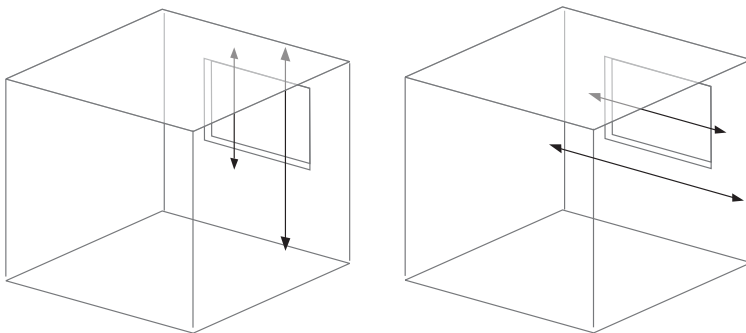
- 1. System W profile
- 2. End piece
- 3. Wire
- 4. Fond (Textile)
- 5. Fond strip
- 6. Fond holder

Enlargement of the end piece (2)



- 7. Cord lock
- 8. Mounting hole for:
 - Ceiling screw
 - Wall fitting
 - Glider

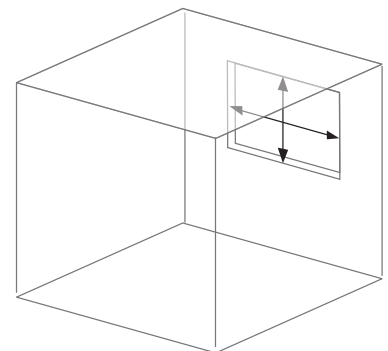
Mounting on the wall or ceiling



Measure the distance between the ceiling, or a point on the wall, down to the point where you want the System W to end. This is your system height. Then decide the height of the textile fond/-s. The fond height includes the fond strips.

Measure the width between two points on the wall or in the ceiling. This is your system width. Subtract 10mm from the total width if you want the System mounted from wall to wall. The fonds will be 124mm less wide than the system width.

Recess mounting



Measure the total width within the window recess. Subtract 10mm from this measurement and use as system width. The fonds will be 124mm less wide than the system width. The system height should be identical to the recess height. Then decide which fond heights you wish to use.