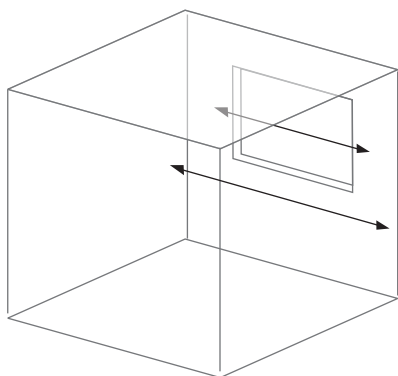


## How to measure

### Fitting to a wall or ceiling

#### Before you measure

Start by checking that the surface is suitable for the purpose of fitting a blind. Make sure that fittings can be properly attached and that the surface is strong enough to carry the weight of the product. The surface should be even and it is important that the measuring points you are considering, are well aligned.



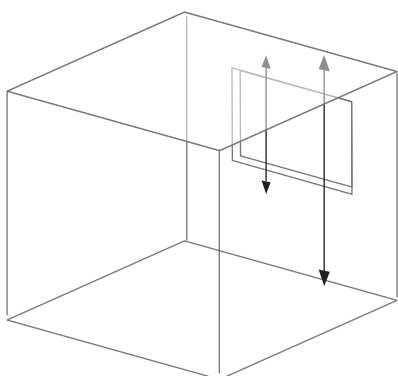
#### Width measurement

##### 1. When fitting a free hanging product:

Measure the desired width of the ready made product and use this measurement as your system width when ordering.

##### 2. When fitting a product from wall to wall:

Measure the width at three points; at the top, in the middle and at the bottom. If the measurements deviate, please use the smallest one and deduct according to the chart below, in order to calculate your system width. When measuring for Roller Blinds, it is sufficient to measure the width at the top.



#### Height measurement

##### 1. When fitting a free hanging product:

Measure the height from the ceiling or from a point on the wall to the point where you want the lower edge of the product to be. Use this measurement as your system height.

##### 2. When fitting a product from wall to wall:

Measure the height at three points; to the left, in the middle and on the right. If the measurements deviate, please use the smallest one and deduct according to the chart below, in order to calculate your system height.

#### Suggested deductions

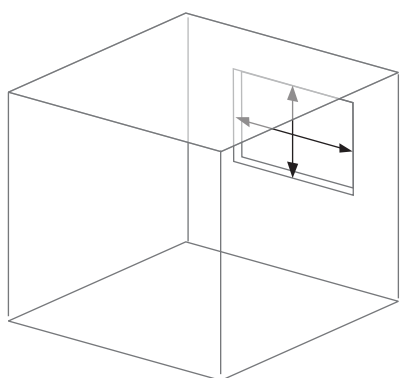
	Width	Height
Panel System	- 10 mm	- 15 mm
Pleated Blinds, models B&D	- 3 mm	- 0 mm
Pleated Blinds, all other	- 5 mm	- 5 mm
Roller Blinds	- 5 mm	- 0 mm
System R & Vertical Blinds	- 10 mm	- 20 mm
System W	- 5 mm	- 0 mm
Venetian Blinds	- 10 mm	**

\*\* The production height of Venetian Blinds is dependent on the pitch within the ladder cords and therefore, an exact height cannot be guaranteed. You can choose to order by sending us your height measurement without deduction and letting us know whether you prefer your blind to be "Plus", meaning that the blind will be at least as high as the height measurement prior to deduction or "Minus" if you want to make sure that the blind is guaranteed not to sit on the floor, window board etc. when pulled down.

## How to measure Fitting in a recess

### Before you measure

Start by checking that the surface is suitable for the purpose of fitting a blind. Make sure that fittings can be properly attached and that the surface is strong enough to carry the weight of the product. The surface should be even and it is important that the measuring points you are considering, are well aligned.



### Width measurement

Measure the width at three points; at the top, in the middle and at the bottom. If the measurements deviate, please use the smallest one and deduct according to the chart below, in order to calculate your system width. When measuring for Roller Blinds, it is sufficient to measure the width at the top.

### Height measurement

Measure the height at three points; to the left, in the middle and on the right. If the measurements deviate, please use the smallest one and deduct according to the chart below, in order to calculate your system height.

Suggested deductions	Width	Height
Panel System	- 10 mm	- 15 mm
Pleated Blinds, models B&D	- 3 mm	- 0 mm
Pleated Blinds, all other	- 5 mm	- 5 mm
Roller Blinds	- 5 mm	- 0 mm
System R & Vertical Blinds	- 10 mm	- 20 mm
System W	- 5 mm	- 0 mm
Venetian Blinds	- 10 mm	**

\*\* The production height of Venetian Blinds is dependent on the pitch within the ladder cords and therefore, an exact height cannot be guaranteed. You can choose to order by sending us your height measurement without deduction and letting us know whether you prefer your blind to be "Plus", meaning that the blind will be at least as high as the height measurement prior to deduction or "Minus" if you want to make sure that the blind is guaranteed not to sit on the floor, window board etc. when pulled down.