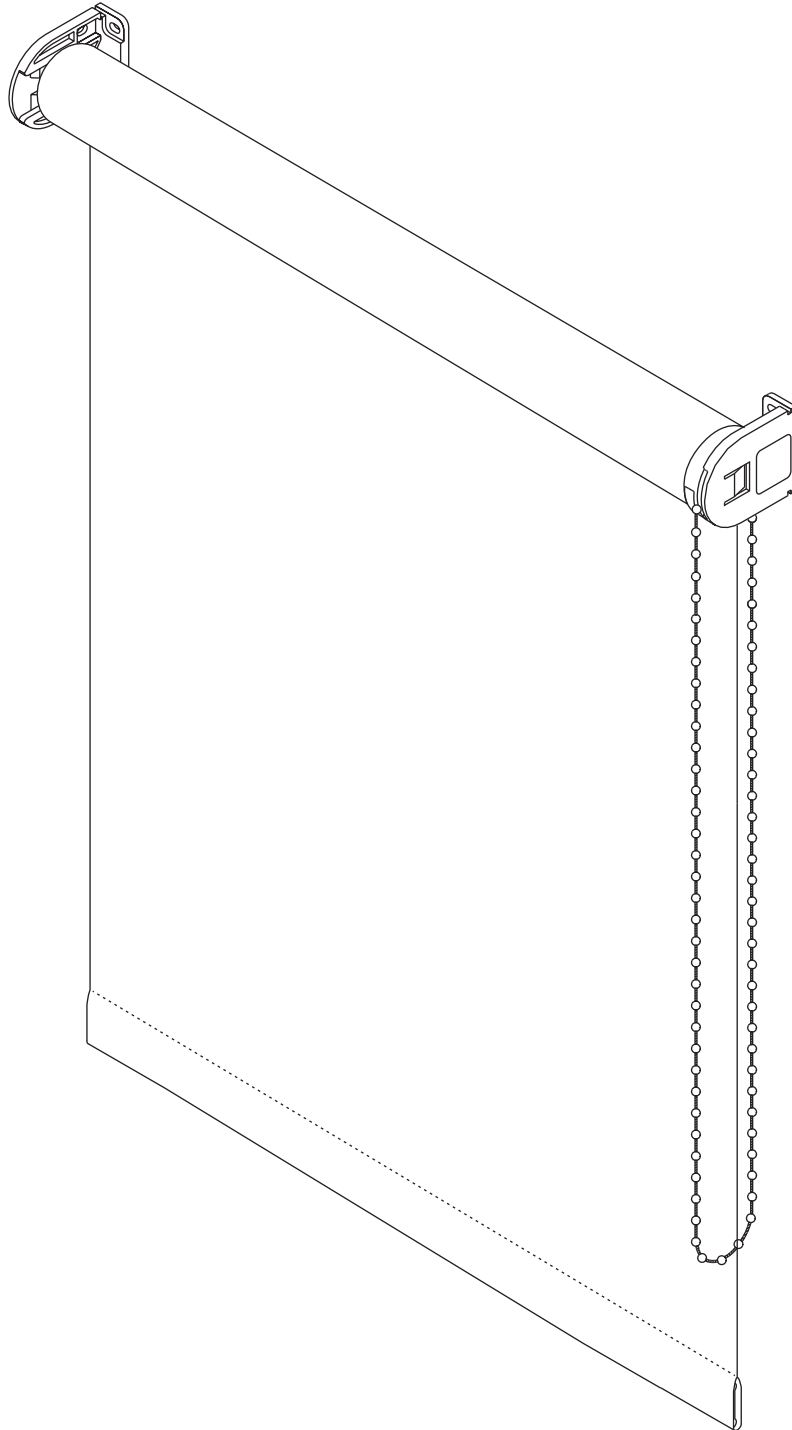


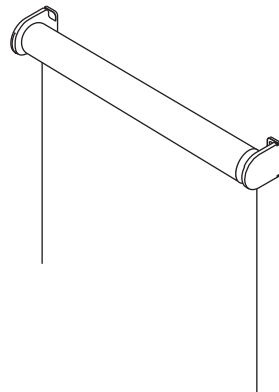
Roller Blinds

30 & 42mm tube

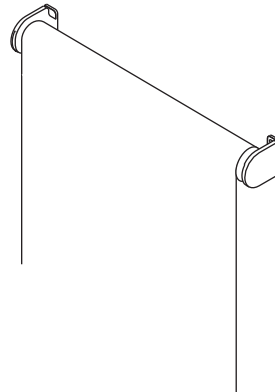


Types

Rolling direction

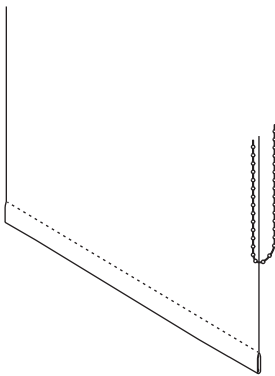


Under rolled

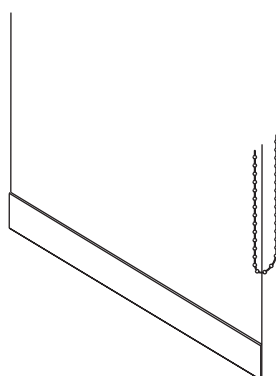


Over rolled

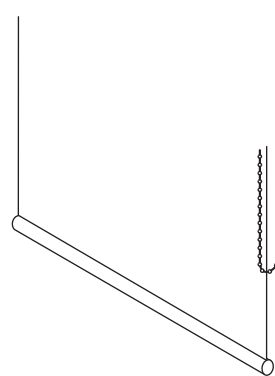
Chain control mechanism



Standard
Sewn hem with
hidden weight profile



Fasson 20
50mm wooden slat
Colours - see samples

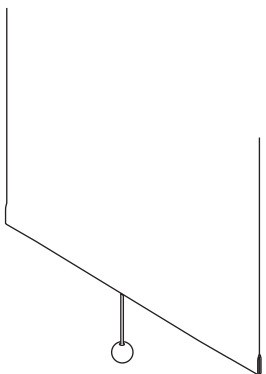


Fasson 30
Visible round profile
White or alu colour

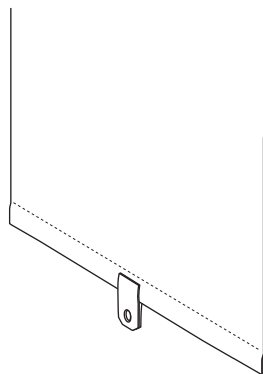


Bead chain available
in white, grey or beige
plastic or in steel.

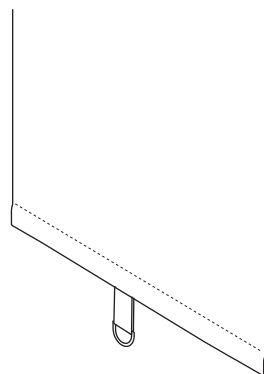
Spring enhanced mechanism



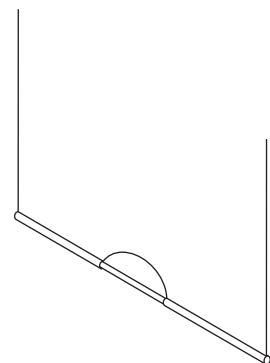
Standard (control cord)
Cord matches fabric
Wooden sphere



Leather strap
Natural or black

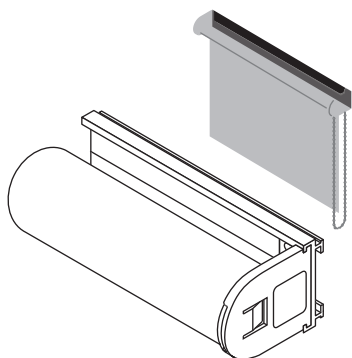


Fabric strap
Strap matches fabric
Puller ring white or alu



Fasson 10
Fabric cut & round
profile, white or alu

Fittings & other parts

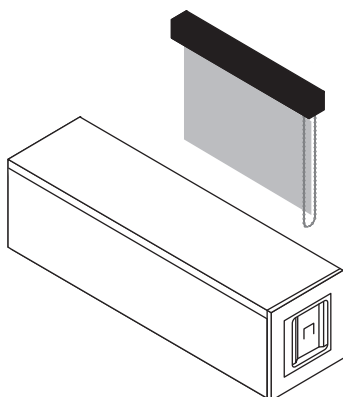


Mounting profile

H 45 x D 13mm (Tube 30)
H 62 x D 13mm (Tube 42)

White or alu colour

Not drilled upon delivery
Wall- or ceiling mounting

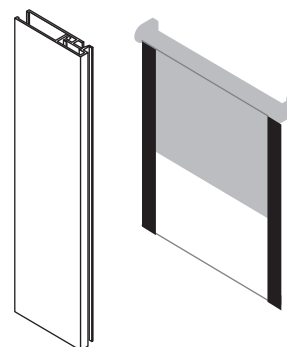


Cassette

H 48 x D 52mm (Tube 30)
H 70 x D 72mm (Tube 42)

White or alu colour

Pre-drilled upon delivery
Wall- or ceiling mounting



Side-guiding profile

B 57 x D 14mm (Tube 30)
B 57 x D 22mm (Tube 42)

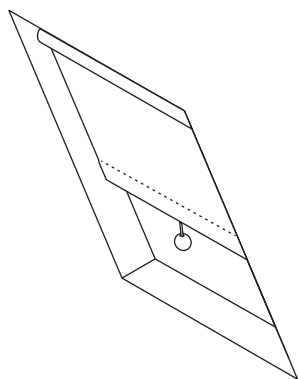
White or alu colour

Pre-drilled upon delivery
Wall- or recess mounting

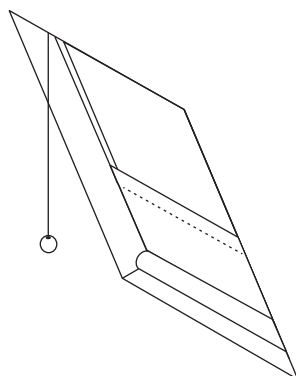
Motorization

Ann Idstein offers a wide variety of motors and steering equipment. Please contact us for further information.

Spring enhanced mechanism / Special types




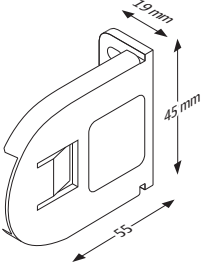
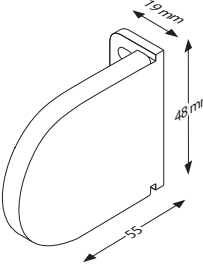
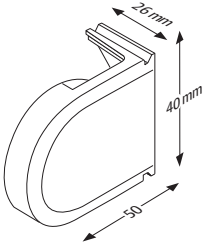
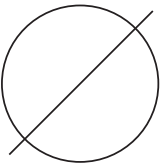
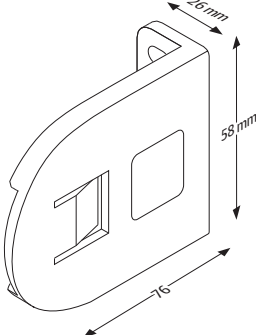
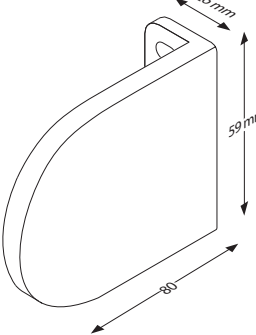
Skylight window roller blind with control cord or fabric strap



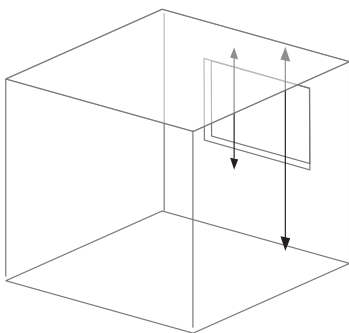
Reverse roller blind (controlled from down to up)

Measurements & mounting

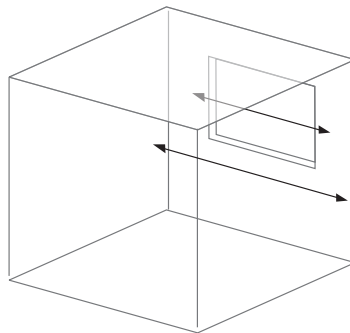
All measurements in mm

Dimension Roller tube	Fittings chain command & motor White, grey or beige plastic	Fittings chain command Stainless steel	Fittings spring r.b. White plastic
 <p>30mm</p>			
 <p>42mm</p>			<p>All fittings can be mounted to the wall or to the ceiling.</p>

Mounting on the wall or ceiling

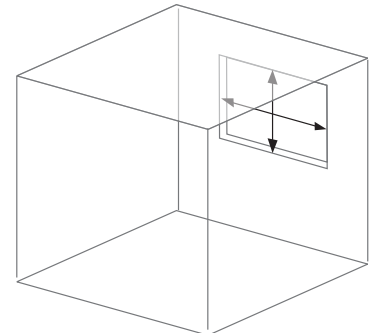


Measure the distance between the ceiling, or a point on the wall, down to the point where you want the Roller Blind to end. This is your system height.



Measure the width between two points on the wall or in the ceiling. This is your system width. Subtract 5mm from the total width if you want the Roller Blind mounted from wall to wall.

Recess mounting



Measure the total width within the window recess. Subtract 5mm from this measurement and use as system width. The system height should be identical to the recess height.