

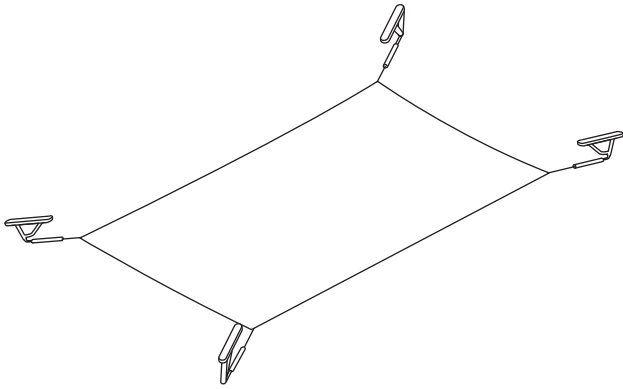
System C

Ceiling sail

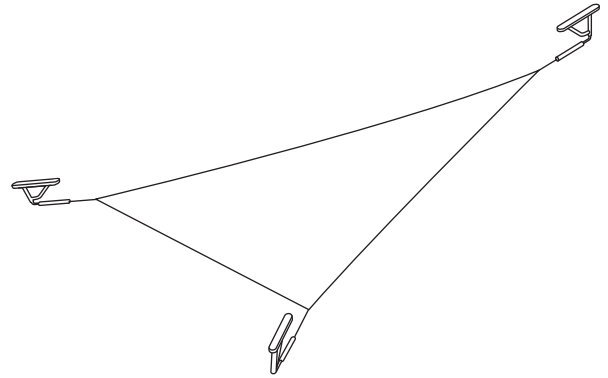


Types

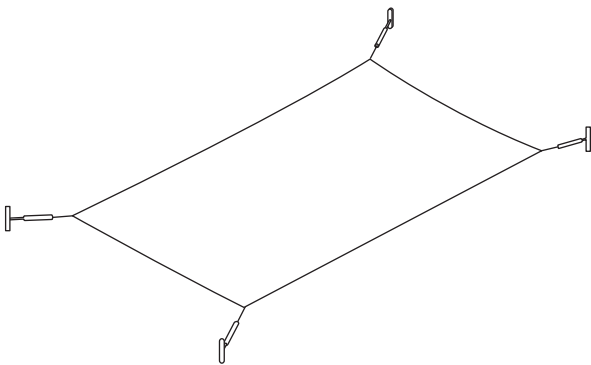
System C1 with ceiling fittings



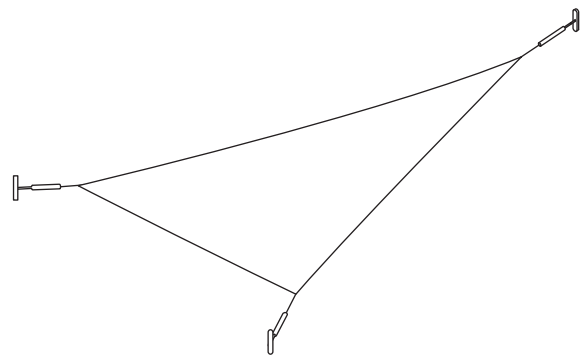
System C2 with ceiling fittings



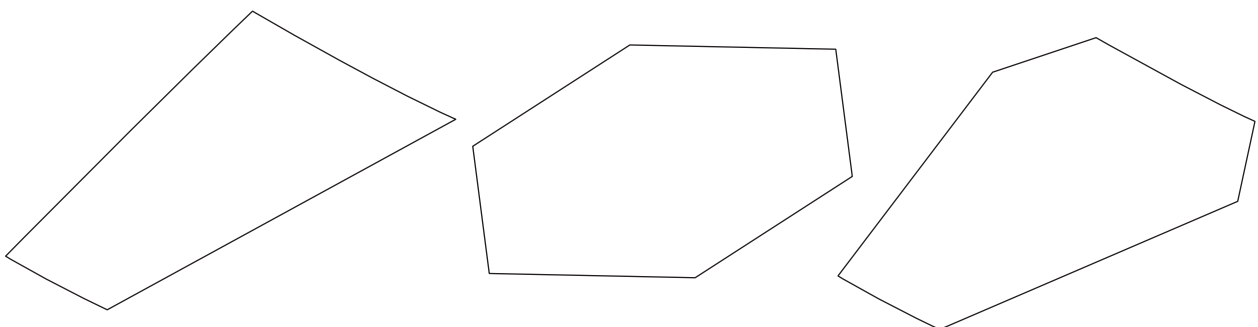
System C1 with wall fittings



System C2 with wall fittings

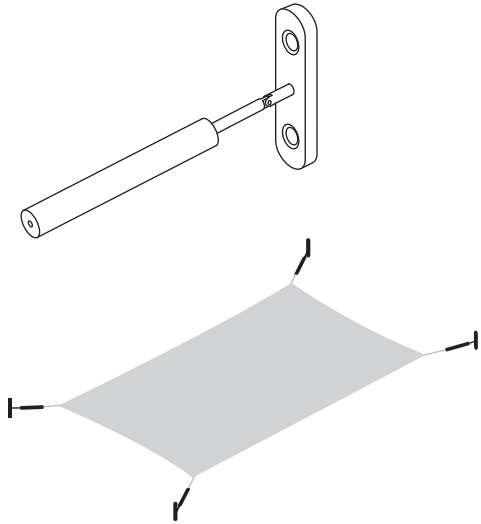


System C in special shapes

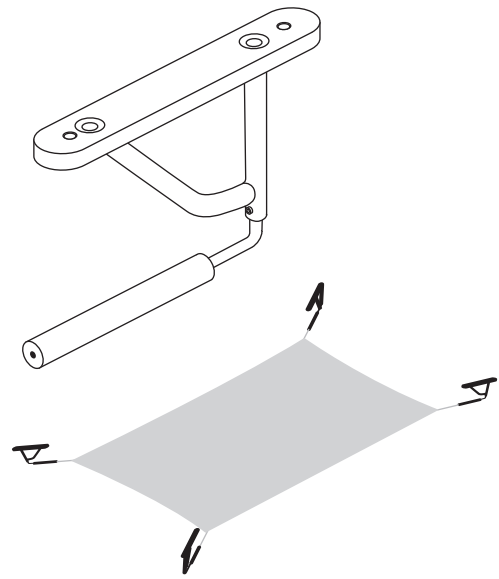


Special shapes can be manufactured according to agreement

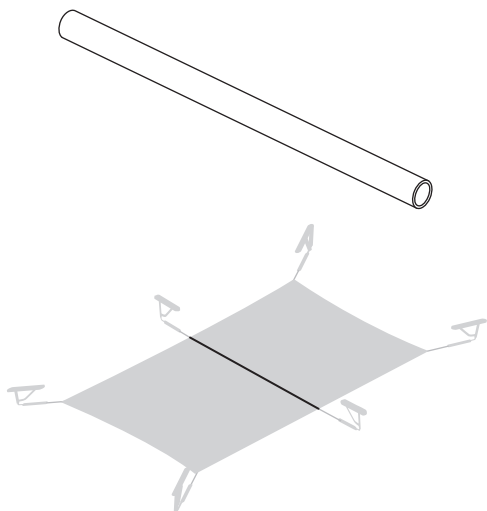
Fittings & other parts



Wall fitting
Stainless steel



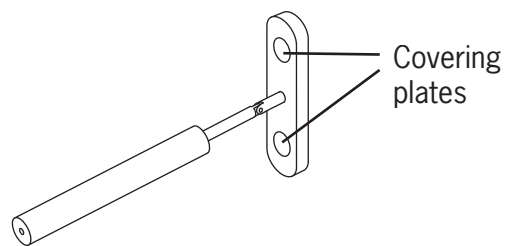
Ceiling fitting
Stainless steel



White, metal support rod
Stainless steel wire included
Length is adapted to fabric width



12mm

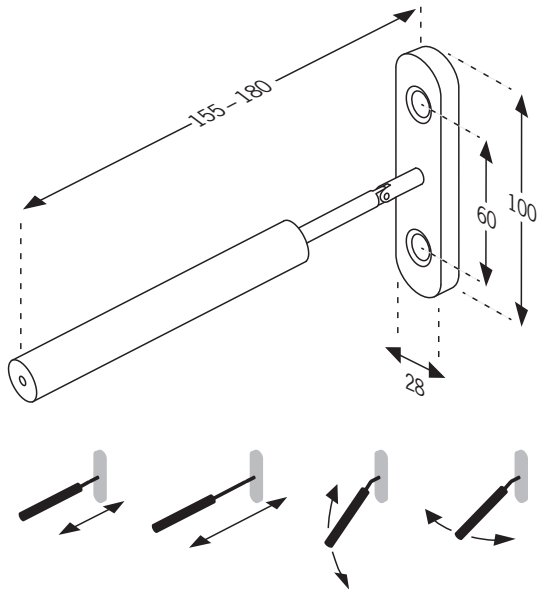


Stainless steel covering plates hide the mounting screws. These parts are always included in the purchase of all types of fittings.

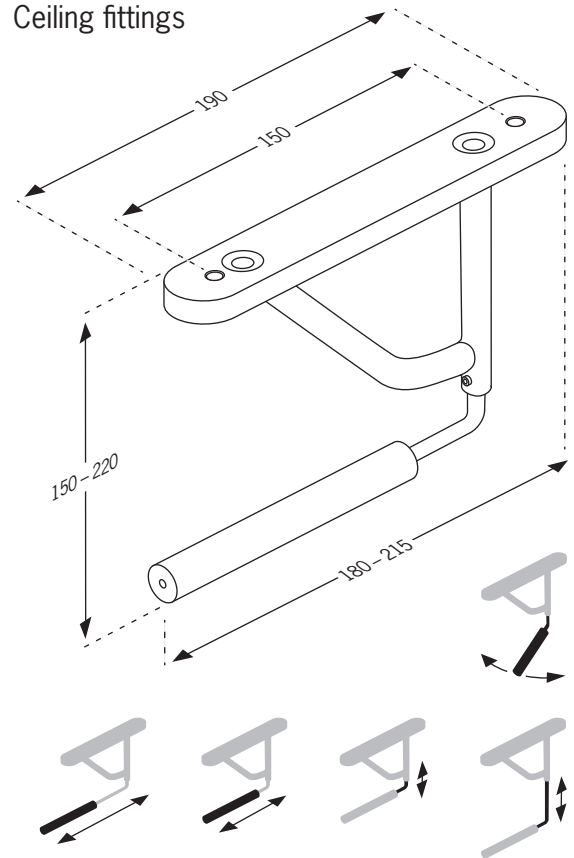
Measurements & mounting

All measurements in mm

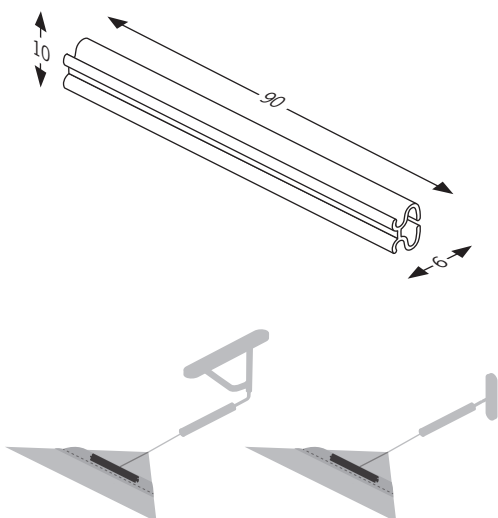
Wall fittings



Ceiling fittings

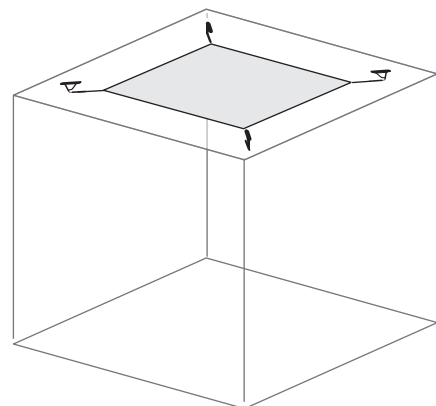


Corner suspension part & wire



Each corner of a System C is supplied with 1 meter of steel wire. A mounting instruction with more in depth-information is supplied with the product.

Mounting



Try to place the fittings in a 45 degree angle to the fabric. Allow at least 400mm distance between fabric and the wall.