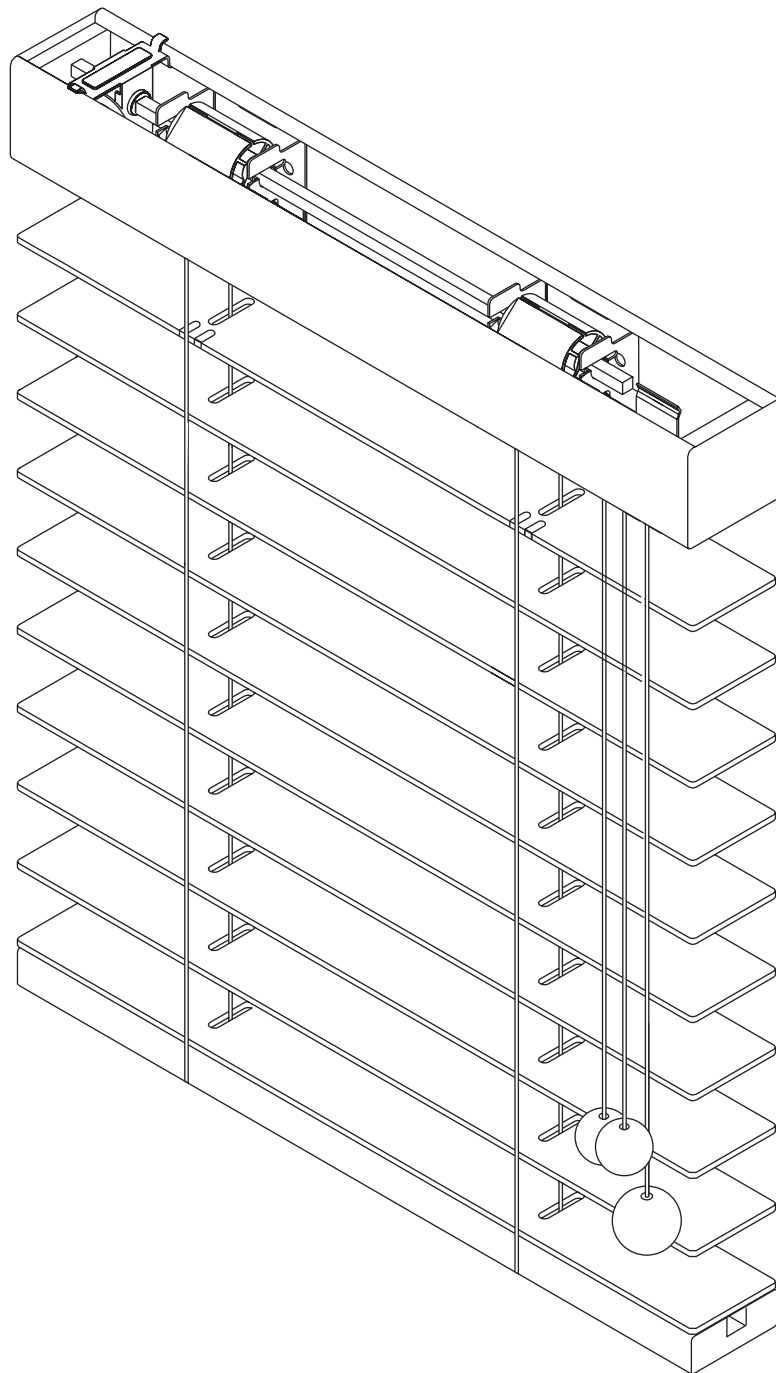
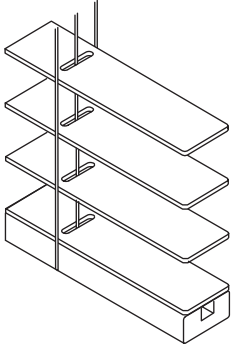


# Venetian Blinds

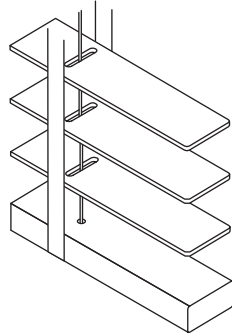
Wood & Linden  
35, 50, 65 mm  
Head rail no. 30



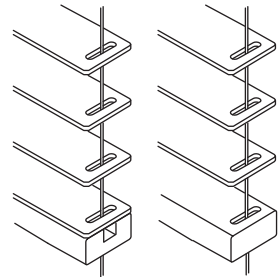
# Types



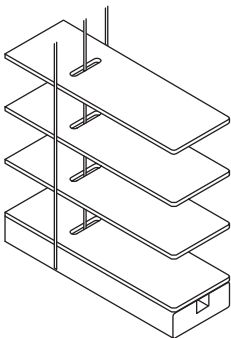
Slat 35 mm,  
Ladder cord 2 mm



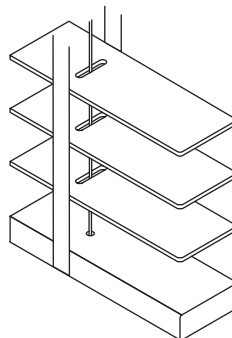
Slat 35 mm,  
Ladder tape 13 mm



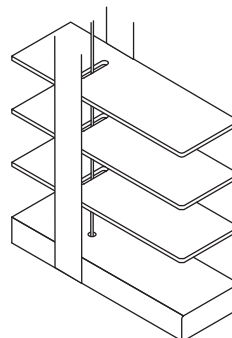
Slat 35 mm  
with side-guiding



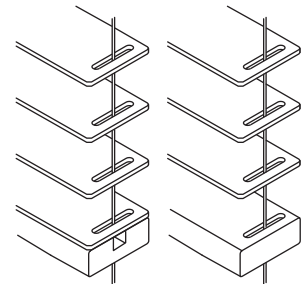
Slat 50 mm,  
Ladder cord 2 mm



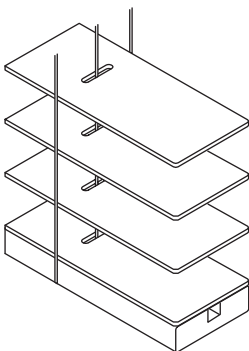
Slat 50 mm,  
Ladder tape 13 mm



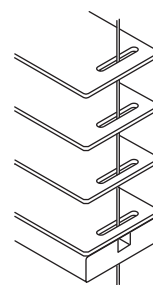
Slat 50 mm,  
Ladder tape 24 mm



Slat 50 mm  
with side-guiding

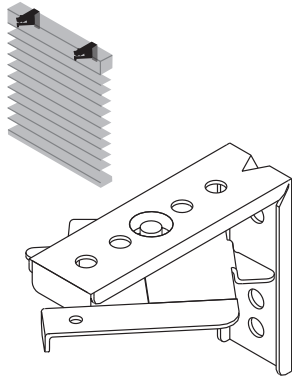


Slat 65 mm,  
Ladder cord 2 mm

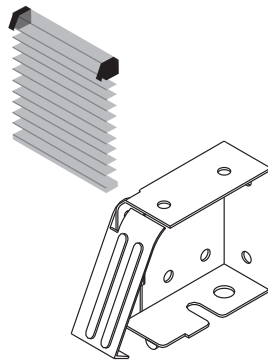


Slat 65 mm  
with side-guiding

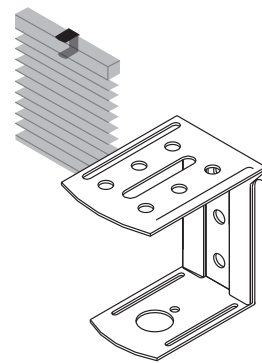
# Fittings & other parts



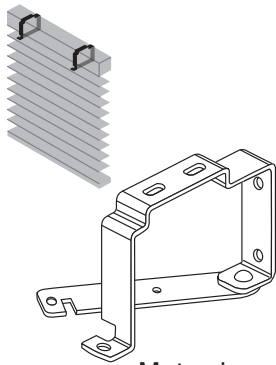
Universal bracket



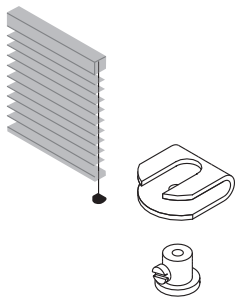
Side bracket



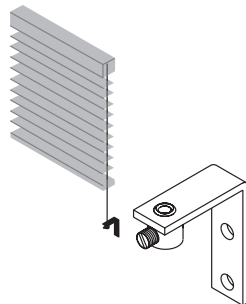
Mid-support for side bracket



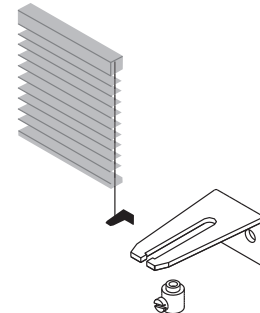
Motor bracket



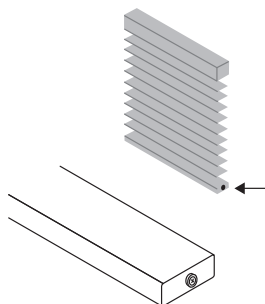
Side-guiding bracket Type 1  
Floor/window sill fitting



Type 2  
Wall fitting, non-adjustable



Type 3  
Wall fitting, adjustable



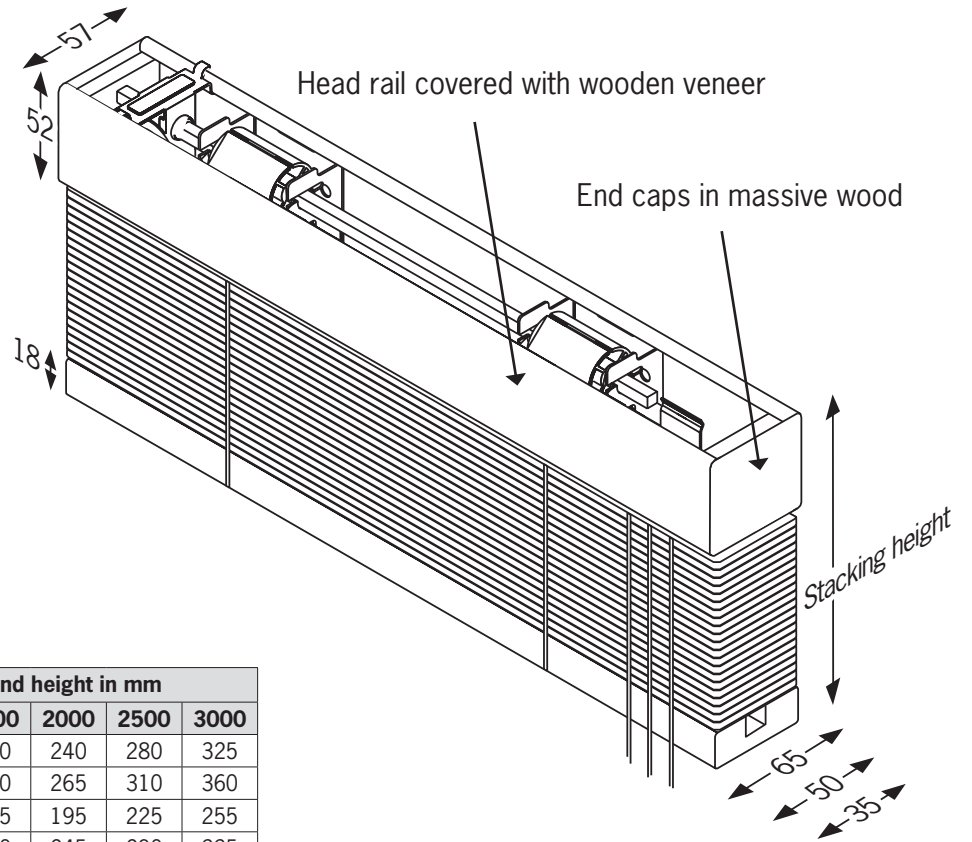
Hold down magnet

## Motorization

Ann Idstein offers a wide range of motors,  
radio receivers, remote controls etc.  
Please contact us for further info.

# Measurements & mounting

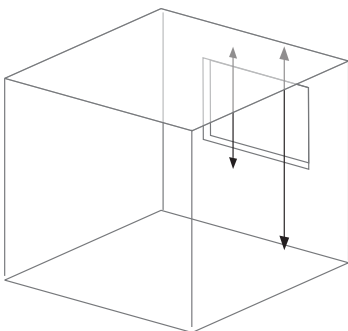
All measurements in mm



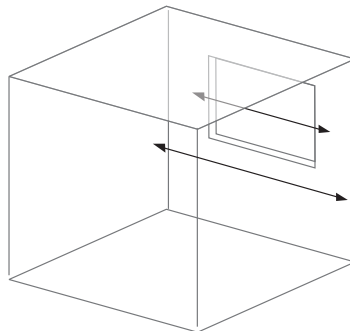
Stacking height

Slat	Ladders	Blind height in mm				
		1000	1500	2000	2500	3000
35mm	2mm	160	200	240	280	325
	13mm	175	220	265	310	360
50mm	2mm	135	165	195	225	255
	13, 24mm	155	200	245	290	335
65mm	2mm	130	155	185	210	240

## Mounting on a wall or ceiling

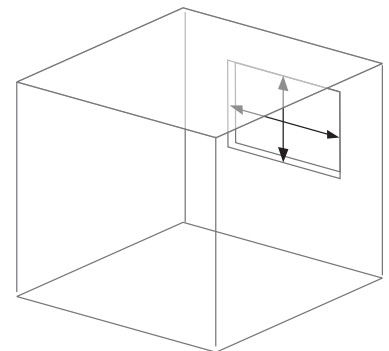


Measure the distance from the ceiling, or from a point on the wall, down to the point where you want the product to end. This measurement is your system height.



Measure the width between two points on the wall or ceiling. This measurement is the system width. If the product is fitted from wall to wall, we recommend that you subtract 10mm from this measurement.

## Recess mounting



Measure the width inside the window recess and subtract 10mm from this measurement. This is your system width. We recommend that the measured height inside the recess is identical to the system height.