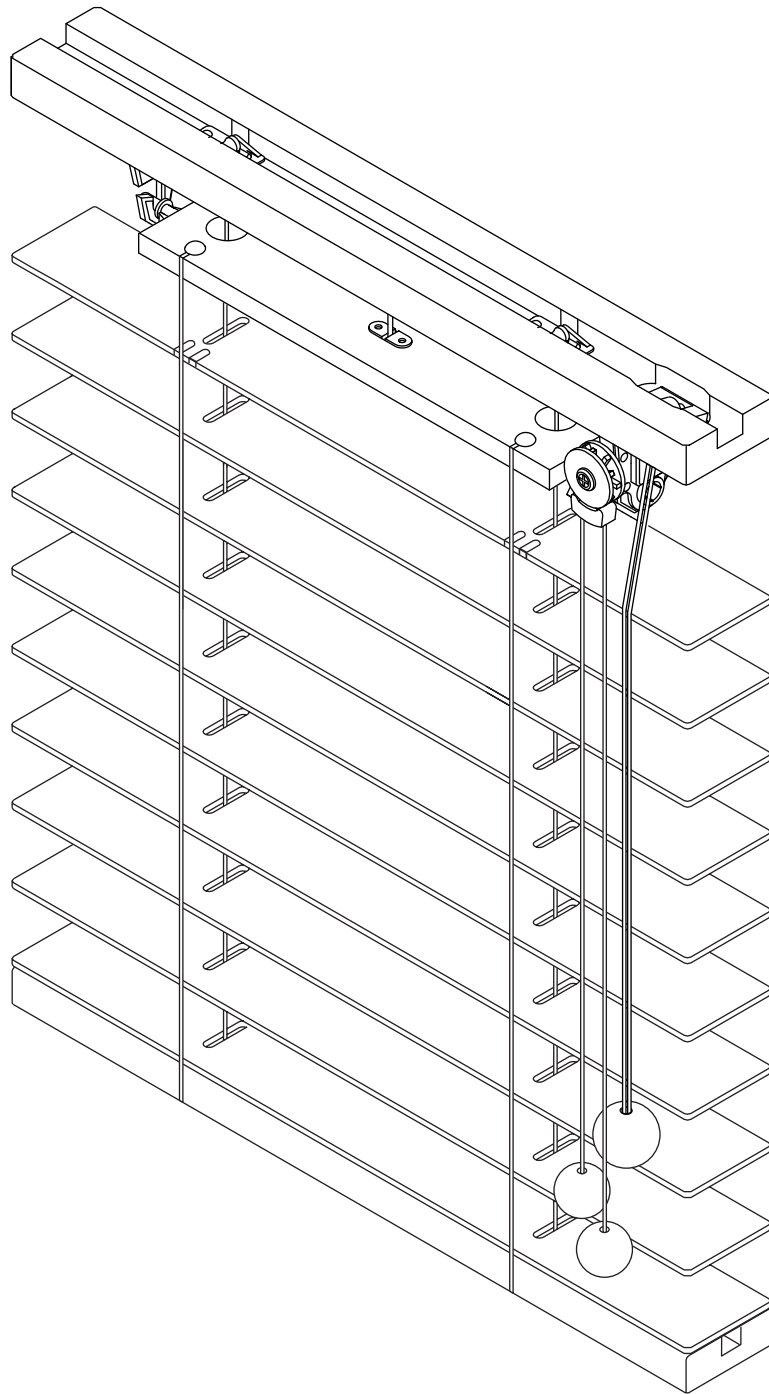
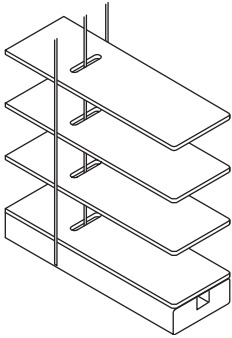


# Venetian Blinds

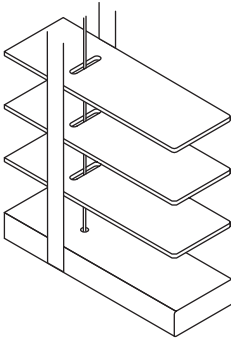
Wood & Linden  
50 mm  
Head rail no. 40



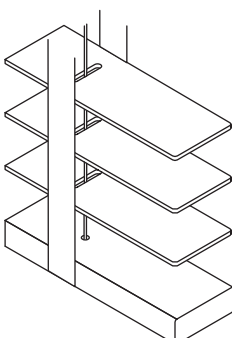
# Types



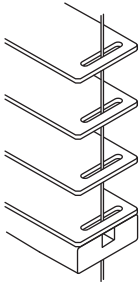
Slat 50 mm,  
Ladder cord 2 mm



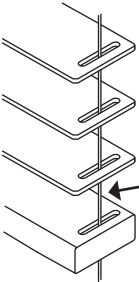
Slat 50 mm,  
Ladder tape 13 mm



Slat 50 mm,  
Ladder tape 24 mm



With  
ladder cord

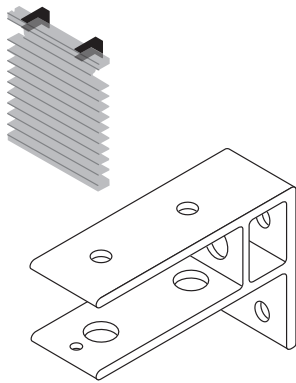


With  
ladder tape

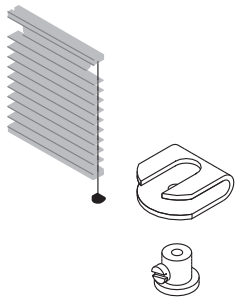
Slat 50 mm  
with side-guiding



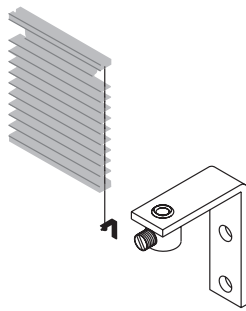
# Fittings & other parts



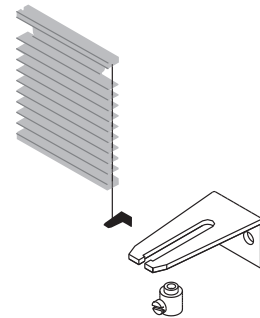
Universal bracket



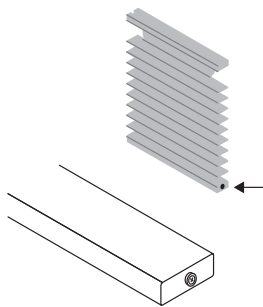
Side-guiding bracket Type 1  
Floor/window sill fitting



Type 2  
Wall fitting, non-adjustable



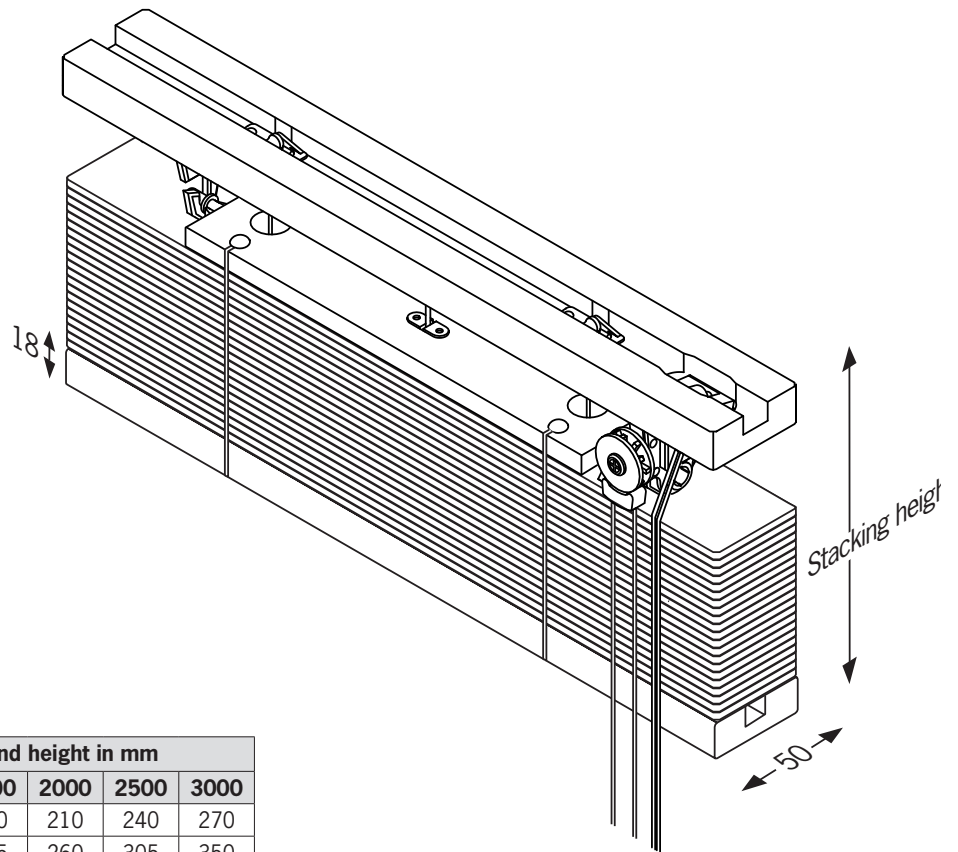
Type 3  
Wall fitting, adjustable



Hold down magnet

# Measurements & mounting

All measurements in mm

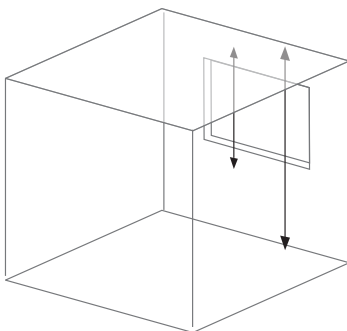


Stacking height

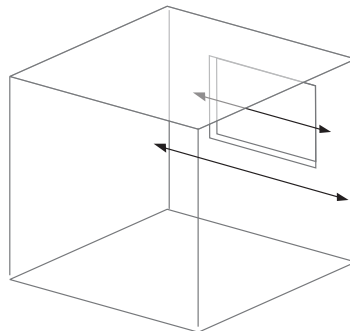
Slat	Ladders	Blind height in mm				
		1000	1500	2000	2500	3000
50mm	2mm	150	180	210	240	270
	13, 24mm	170	215	260	305	350

Please note that we strongly recommend a max. height of 2600mm.

## Mounting on a wall or ceiling

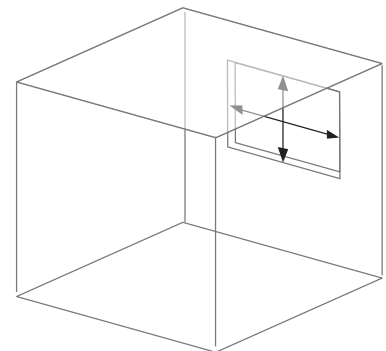


Measure the distance from the ceiling, or from a point on the wall, down to the point where you want the product to end. This measurement is your system height.



Measure the width between two points on the wall or ceiling. This measurement is the system width. If the product is fitted from wall to wall, we recommend that you subtract 10mm from this measurement.

## Recess mounting



Measure the width inside the window recess and subtract 10mm from this measurement. This is your system width. We recommend that the measured height inside the recess is identical to the system height.