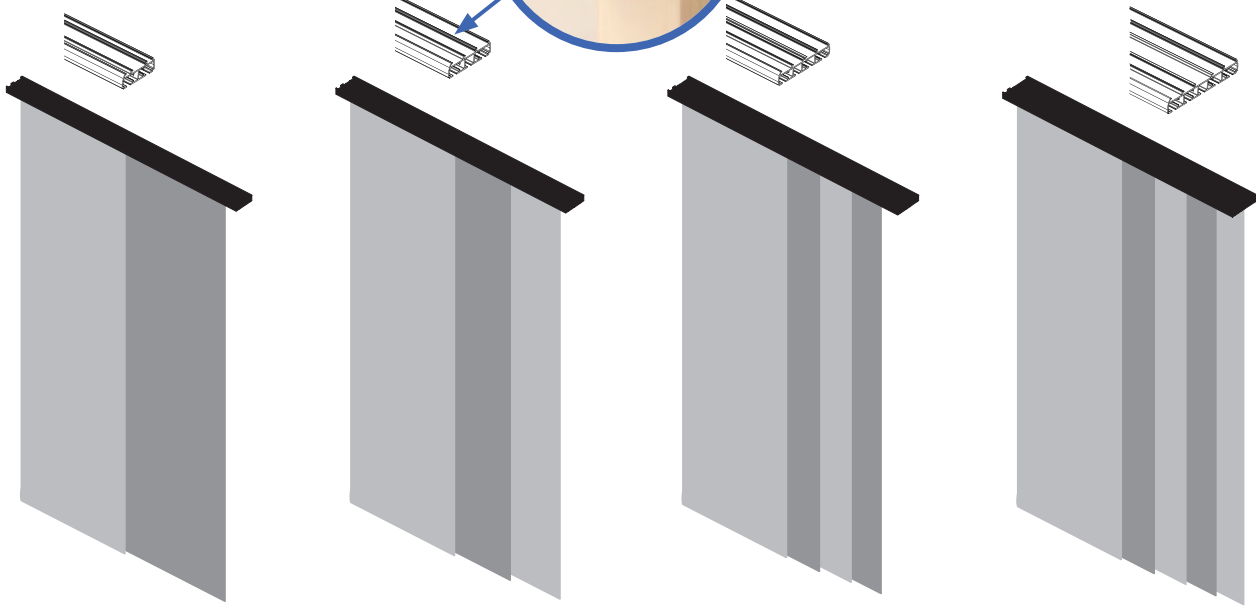




# •Types | Rails & hardware

## TRACK RAILS



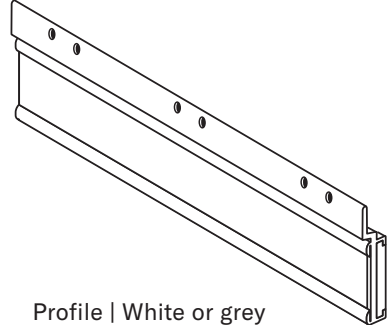
2-track rail  
White or grey  
H 16 × B 40 mm

3-track rail  
White or grey  
H 16 × B 51 mm

4-track rail  
White or grey  
H 16 × B 68 mm

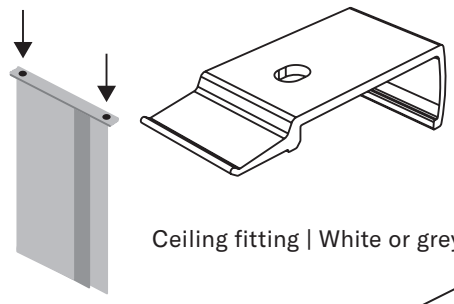
5-track rail  
White or grey  
H 16 × B 85 mm

## CURTAIN PROFILE

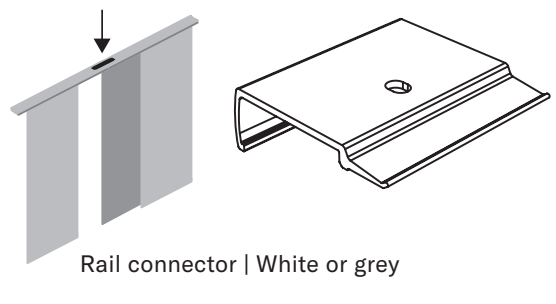


Profile | White or grey

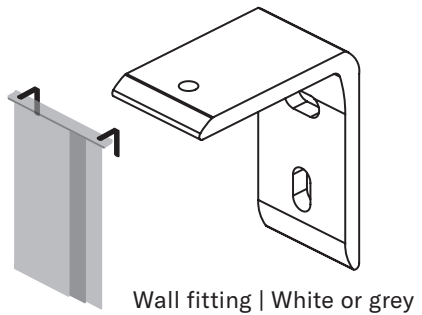
## VARIOUS PARTS



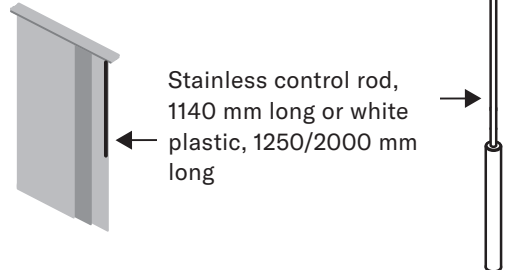
Ceiling fitting | White or grey



Rail connector | White or grey

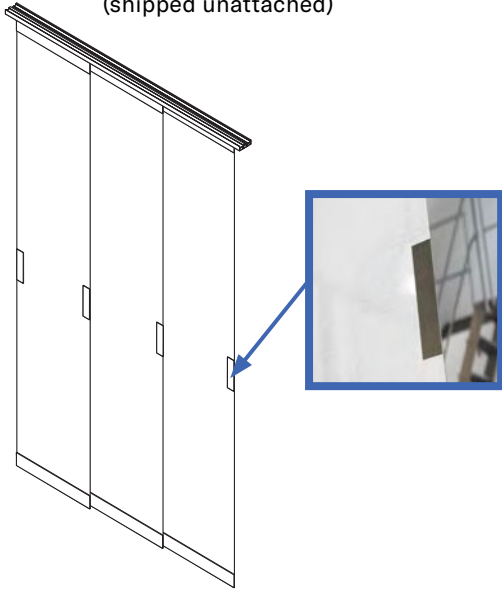


Wall fitting | White or grey

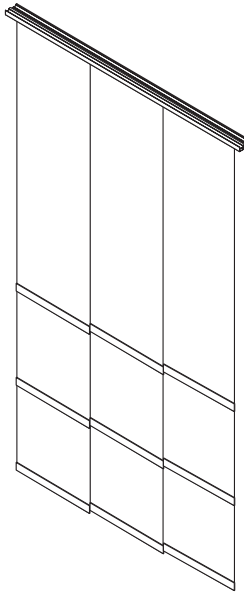


Stainless control rod,  
1140 mm long or white  
plastic, 1250/2000 mm  
long

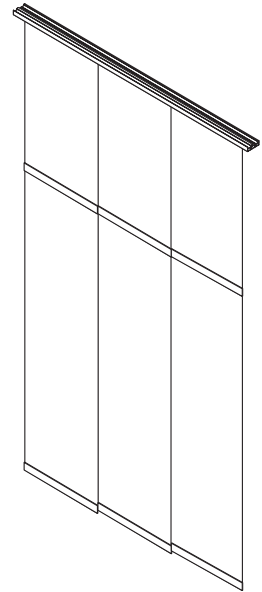
50 mm grips  
(shipped unattached)



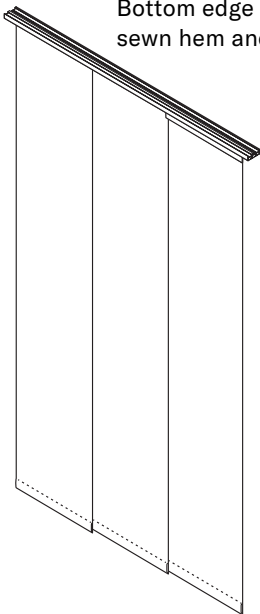
50 mm wooden slats  
Assymmetrically placed, example 1



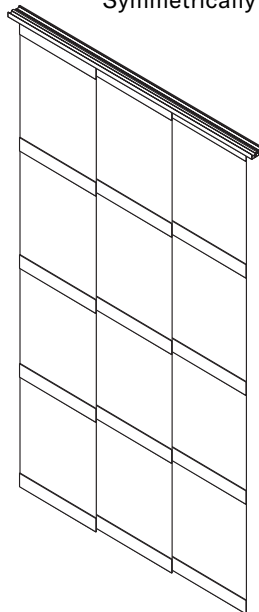
50 mm wooden slats  
Assymmetrically placed, example 2



Bottom edge with welded/  
sewn hem and weight rod

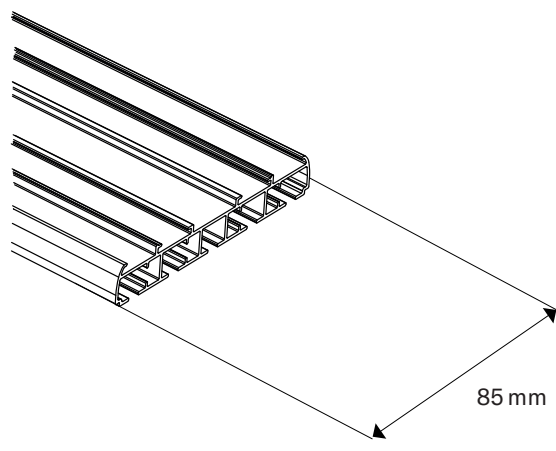
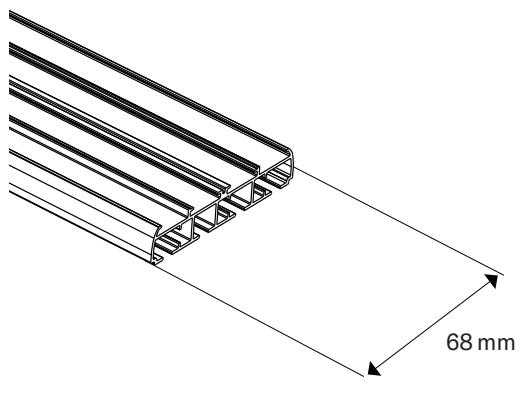
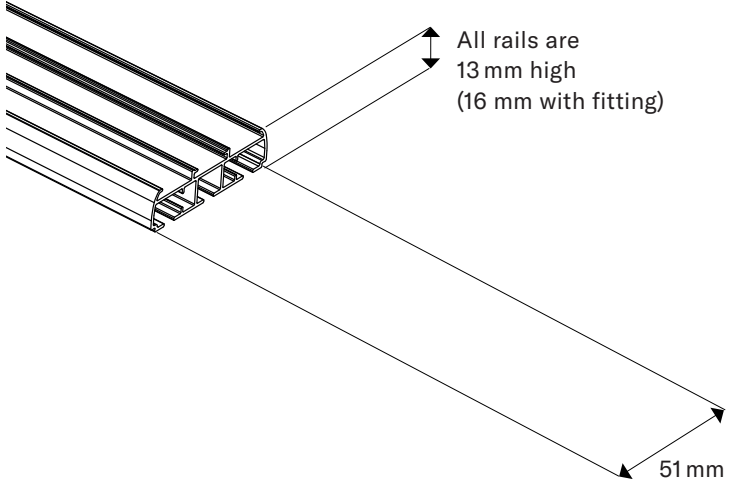
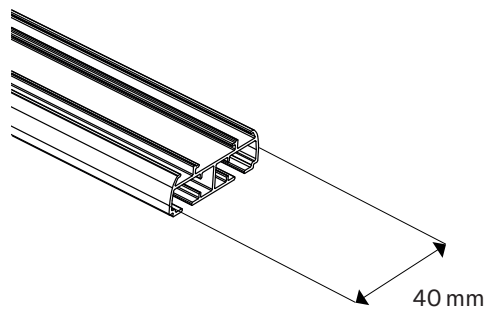


50 mm wooden slats  
Symmetrically placed



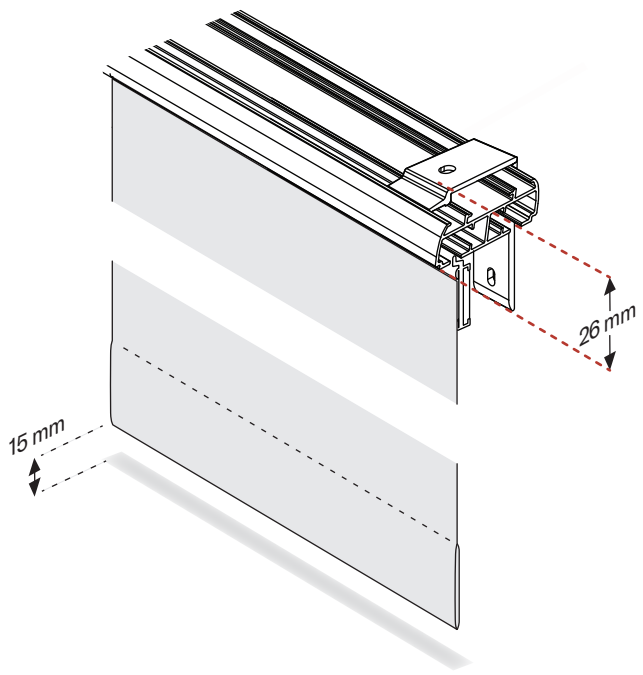
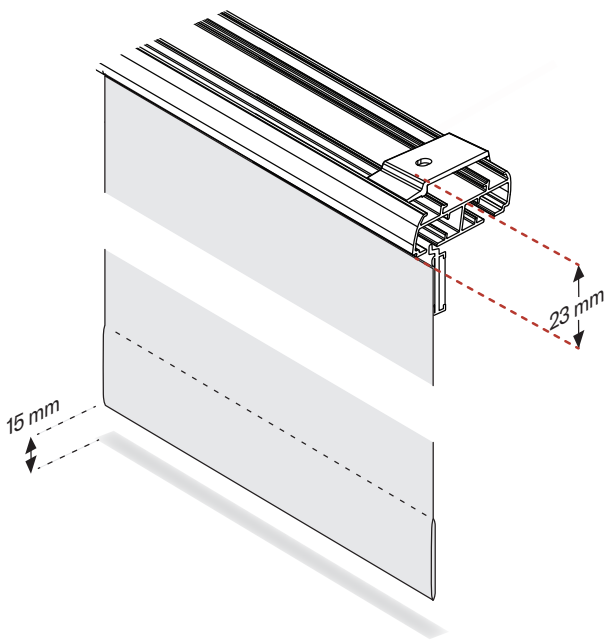
**PLEASE NOTE!** This is just an example.  
You decide the slat amount- and placement.

# • Fitting & dimensions



Fitting to a ceiling

Fitting to a wall



These drawings show 2-track rails but the measurements are identical for all rail types. Also, please note that 15 mm floor clearance is just a recommendation.