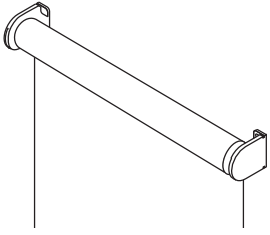


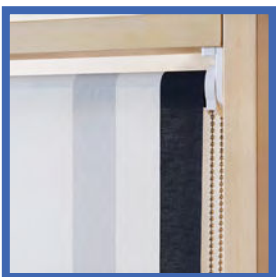
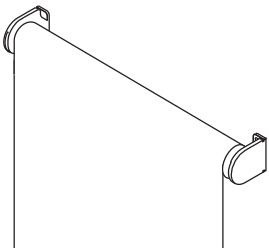
ROLLER BLINDS



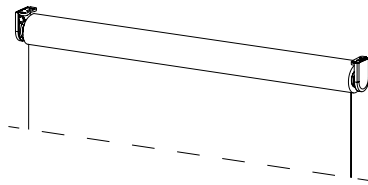
ROLLING DIRECTION



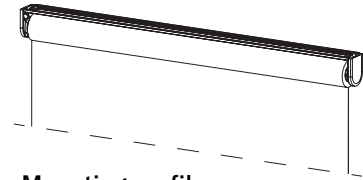
Under rolled
Available for all blinds



Over rolled
Available for all blinds
except with cassette



Universal fittings
Available for types S, M and L
(Not for spring mechanism)
Fitting colours & measurements on page 4

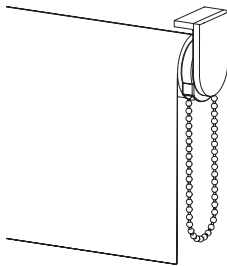


Mounting profile
Available for types S and M
Can be fitted to a wall or ceiling
More information on page 4



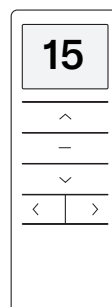
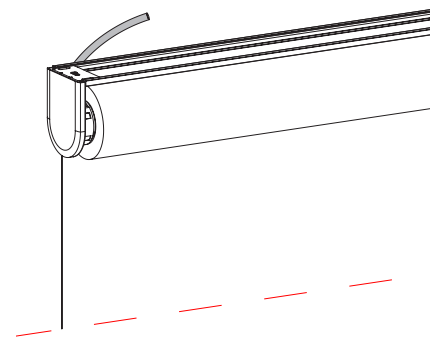
CHAIN CONTROL

Plastic chains are available in white, light grey, beige and black. Endless loops are offered for control lengths: 500, 750, 1000, 1250, 1500, 1750, 2000 & 2250 mm. Other lengths with chain connector.
Metal chain at additional cost.
Childsafe chain stretcher can be added.

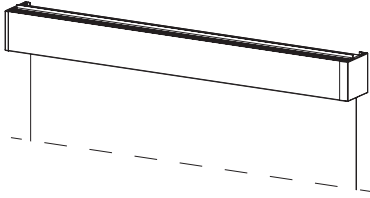


MOTOR

8/12 V battery motor or 230 V motor
Radio controlled battery motor is offered for types S & M.
230 V motor is available for types M & L, with or without radio control.
Electrical cable can be placed left or right.



Equipment
15 channel radio remote control with magnetic bracket.
Optionally, a wall fitted 1-channel radio switch is offered.
Micro-USB charger for 230V socket.
Many other articles on demand.

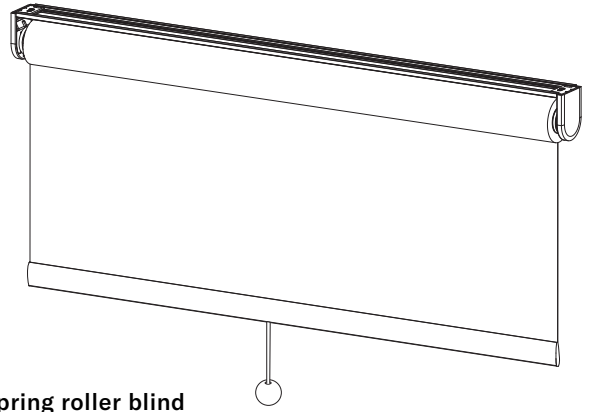


Cassette

Available for types S, M & L
 Can be fitted to a wall or ceiling
 More info on page 4



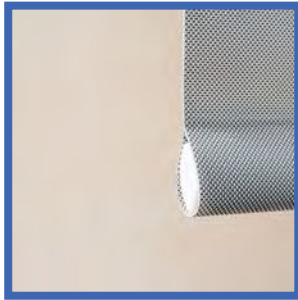
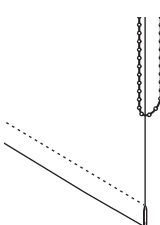
SPRING ROLLER BLIND



Spring roller blind

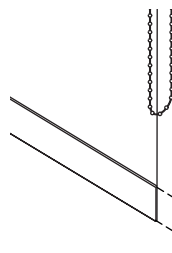
Only available for type S
 Mounting profile fittable to a wall or ceiling
 More information on page 4

BOTTOM EDGE (for all types)



Standard

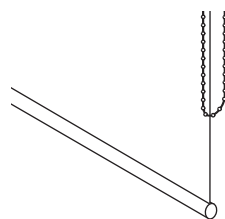
Welded or sewn hem
 (depending on material)
 with aluminium weight rod



Fasson No. 20

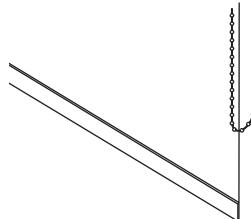
50mm wooden slat
 See slat swatcher for
 available colours

50mm



Fasson No. 30

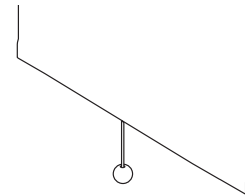
Round bottom rod with 15
 mm diameter
 White or anodized aluminium



Fasson No. 40

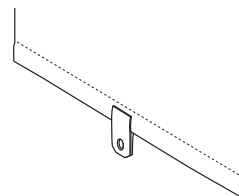
25 mm aluminium slat
 Anodized aluminium, brushed,
 white or black

**BOTTOM EDGE
 (only for spring roller blinds)**



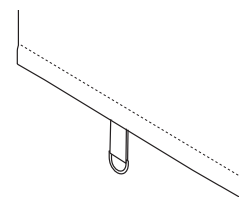
**Control cord with
 wooden sphere**

Length & colour can
 be decided



Leather strap

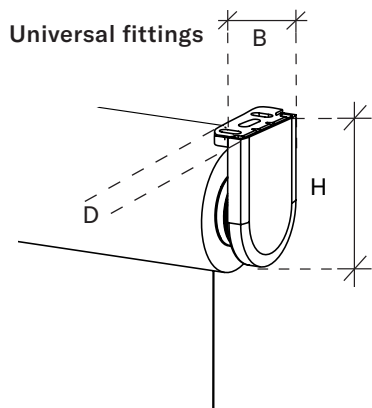
Black or natural
 Length approx. 80 mm



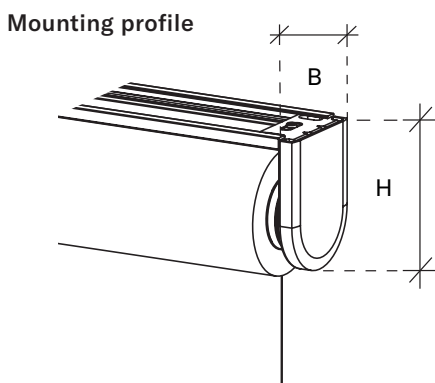
Fabric control cord

Colour as roller blind
 Length can be decided
 Ring: white, chrome, brass

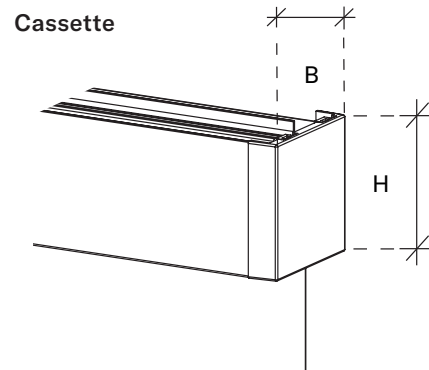
• Fitting & dimensions



An overview of the colours (fitting covers) on offer can be found below
 Type S: B 43 mm | H 56 mm | D 22 mm
 Type M: B 62 mm | H 78 mm | D 29 mm
 Type L: B 86 mm | H 108 mm | D 44 mm

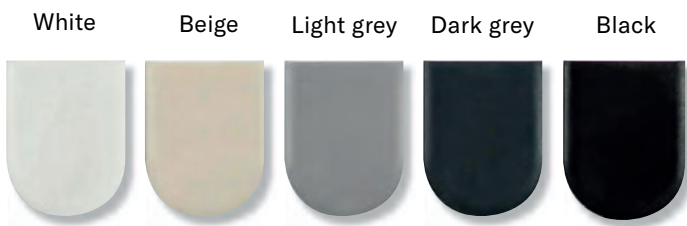


Colour: white, black or anodized alu.
 For type S: B 44 x H 56 mm
 For type M: B 61 x H 78 mm

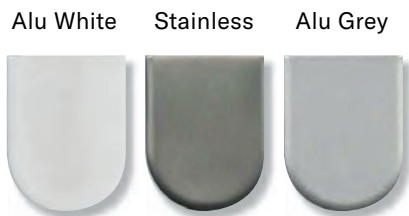


Colour: white, black or anodized alu.
 For type S: B 71 x H 73 mm
 For type M: B 90 x H 90 mm
 For type L: B 121 x H 120 mm

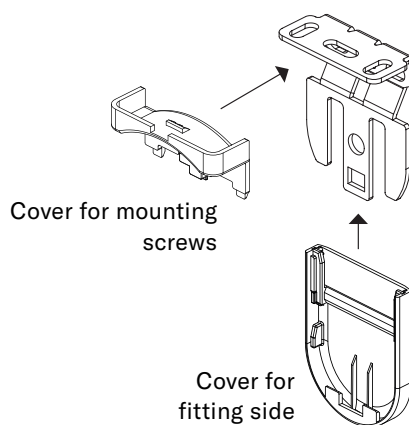
Plastic fitting covers (standard)



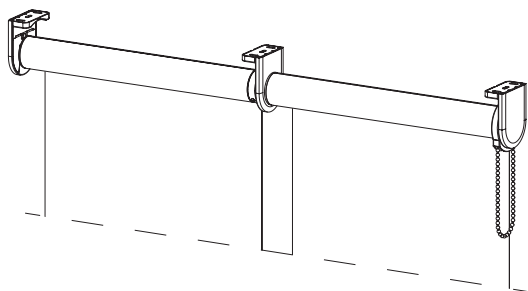
Metal fitting covers (additional cost)



Painted aluminium fittings

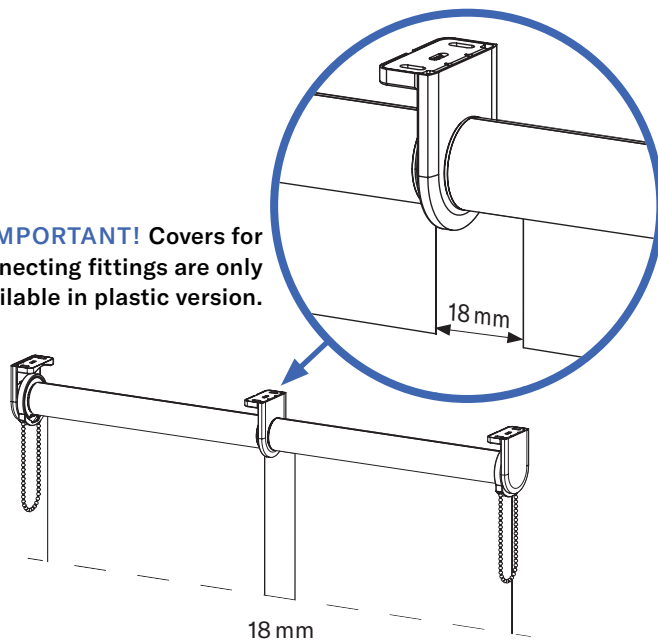


CONNECTED ROLLER BLINDS "2 IN 1"



2 connected roller blinds with one joint control
 For chain control types M and L, tube 40–80 mm
 Type M with universal fittings or cassette
 Typ L only available with universal fittings
 2 in 1 with joint control can also be motorized

IMPORTANT! Covers for connecting fittings are only available in plastic version.



2 connected roller blinds with individual controls
 For chain control types M and L, tube 40–80 mm
 Type M with universal fittings or cassette
 Typ L only available with universal fittings