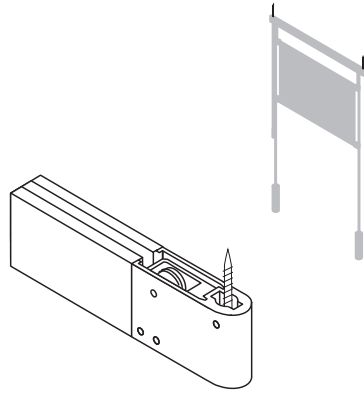


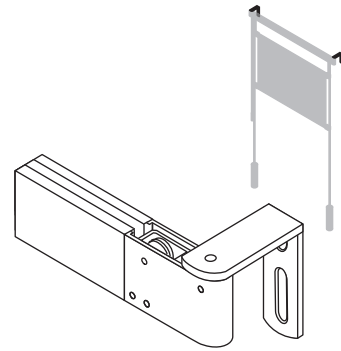




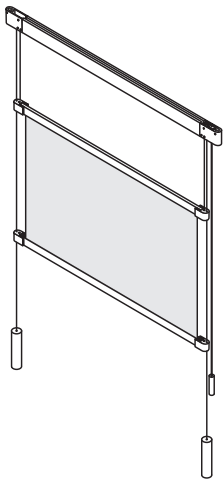
Ceiling suspended head rail



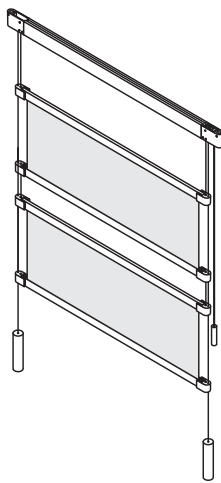
Ceiling screw



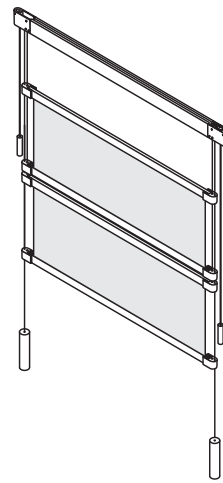
60 mm wall fitting



W1
One textile element
One cord control, left or right



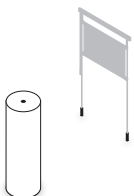
W2
Two connected textile elements
One cord control, left or right



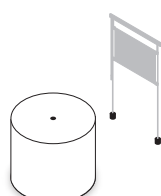
W3
Two individual textile elements
Two cord controls, one left & one right



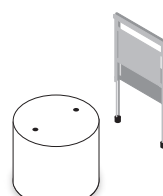
Wire case
One single wire is attached to the floor and then covered by the wire case



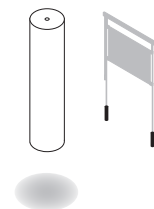
Floor load type 1
Free standing weight for one single wire



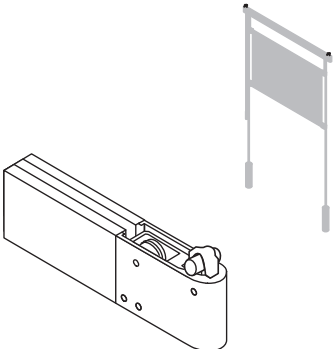
Floor load type 2
Free standing weight for two separate wires
Suitable for two System W's fitted behind each other



Hanging weight
Weight suspended from a single wire at desired height



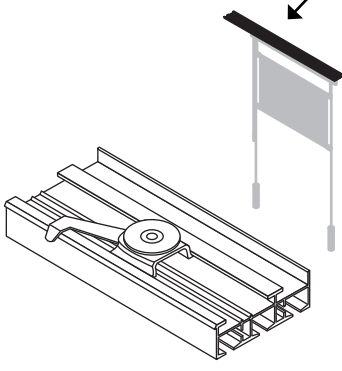
•Types | System W in a track rail



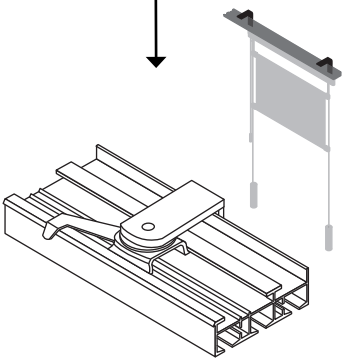
Head rail with gliders
System fitted in a track rail with floor- or wall fittings



System W fitted in a 3-track rail



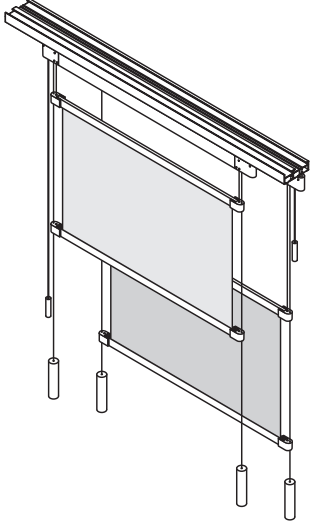
3-track rail with ceiling fittings
Only available in white



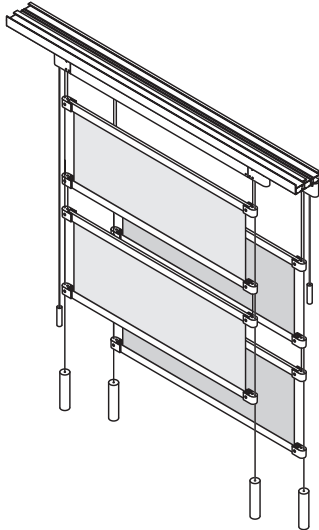
3-track rail with wall fittings
Only available in white

IMPORTANT! Please leave one track empty inbetween two System W's to make sure they have sufficient room.

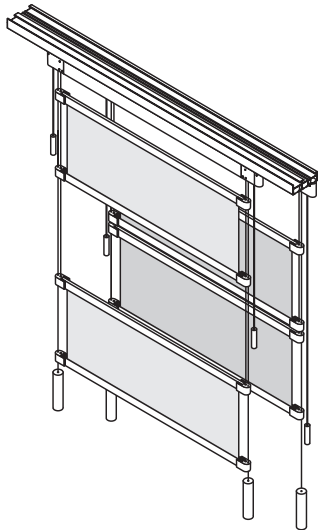
System W's fitted in a trackrail
Enables System W to slide horizontally



W1
Example shows two System W1
in a track rail



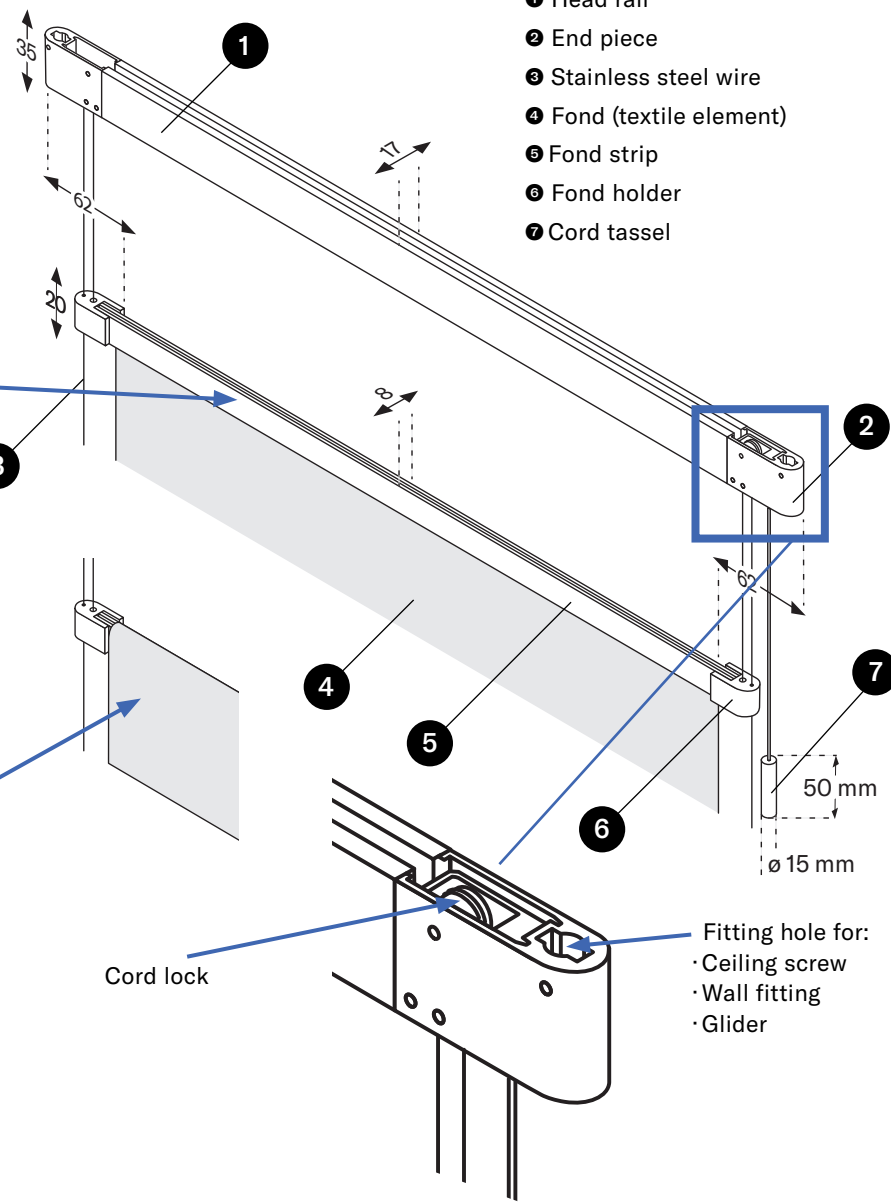
W2
Example shows two System W2
in a track rail



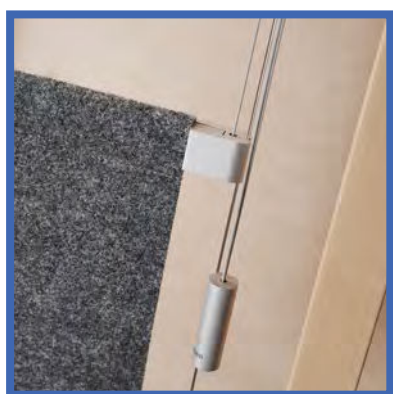
W3
Example shows two System W3
in a track rail

• Fitting & dimensions

- ❶ Head rail
- ❷ End piece
- ❸ Stainless steel wire
- ❹ Fond (textile element)
- ❺ Fond strip
- ❻ Fond holder
- ❼ Cord tassel

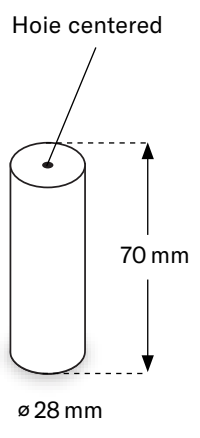


Visible aluminium fond strip

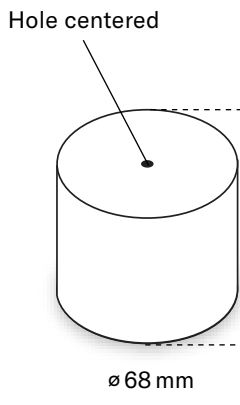


Sewn hem with hidden fond strip

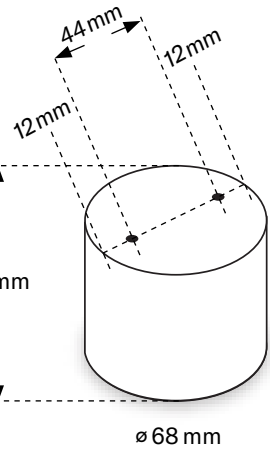
Wire case



Floor load type 1



Floor load type 2



Free hanging weight

