

VENETIAN BLINDS
ALUMINIUM & TRANSPARENT



HEAD RAIL NO. 12



Standard version with puller cord and plastic tilt rod

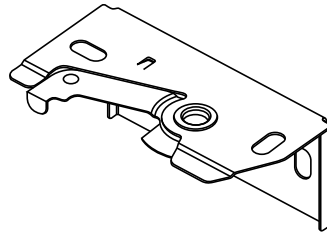


Chain command version
Chain & mechanism in white or grey

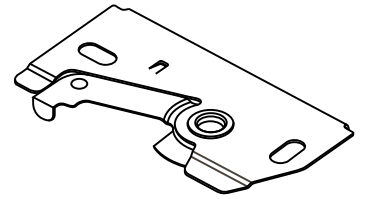


Head rail made of extruded aluminium with matching plastic end caps

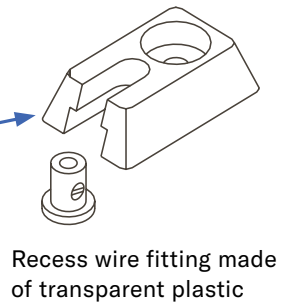
Universal fitting for wall/ceiling
Painted aluminium, matching the rail



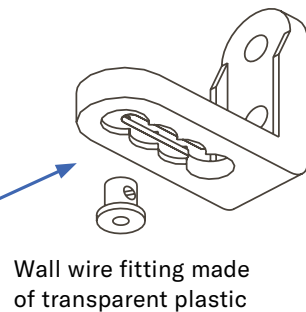
Ceiling fitting
Painted aluminium, matching the rail



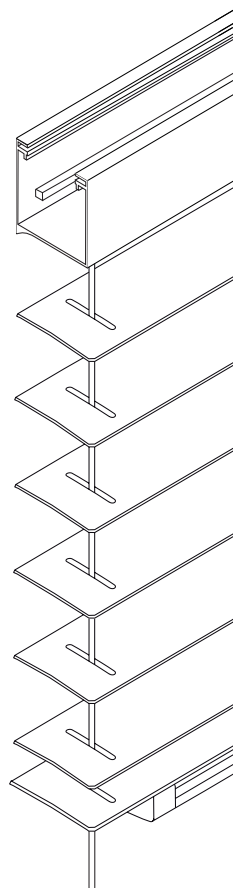
SIDE GUIDING



Recess wire fitting made of transparent plastic



Wall wire fitting made of transparent plastic



•Types | 50 & 70 mm slat width

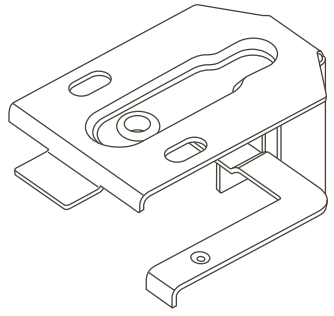
HEAD RAIL NO. 32



Standard version with ladder cord.



Extruded aluminium head rail with matching plastic end caps. The head rail profile is curved downwards to avoid a light gap. Slats are offered in aluminium and translucent plastic.



Universal fitting for wall/ceiling
Painted aluminium, matching the rail



The blinds are also offered with ladder tape. Colours and tape widths can be found in a separate chart.

MOTORIZATION



There are several types of motors and control options. The photo shows a remote control with 15 channels.



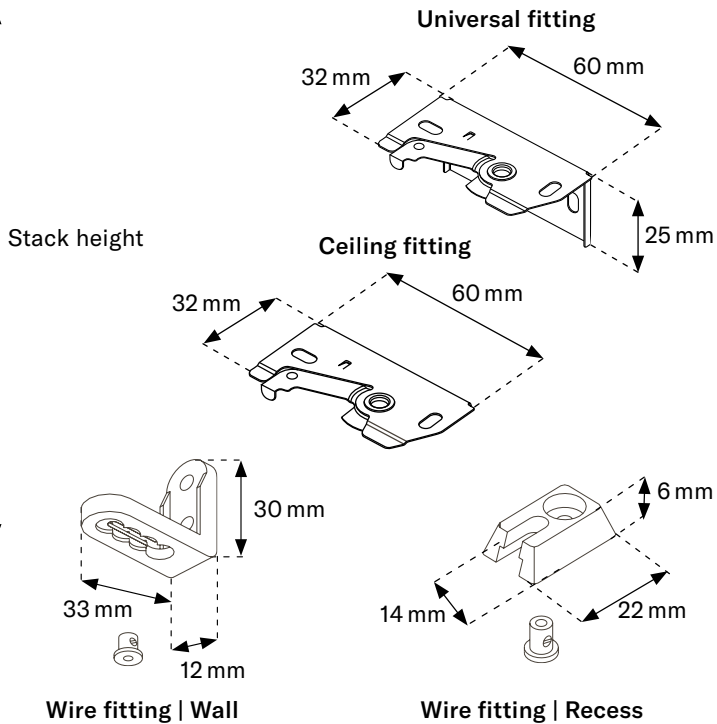
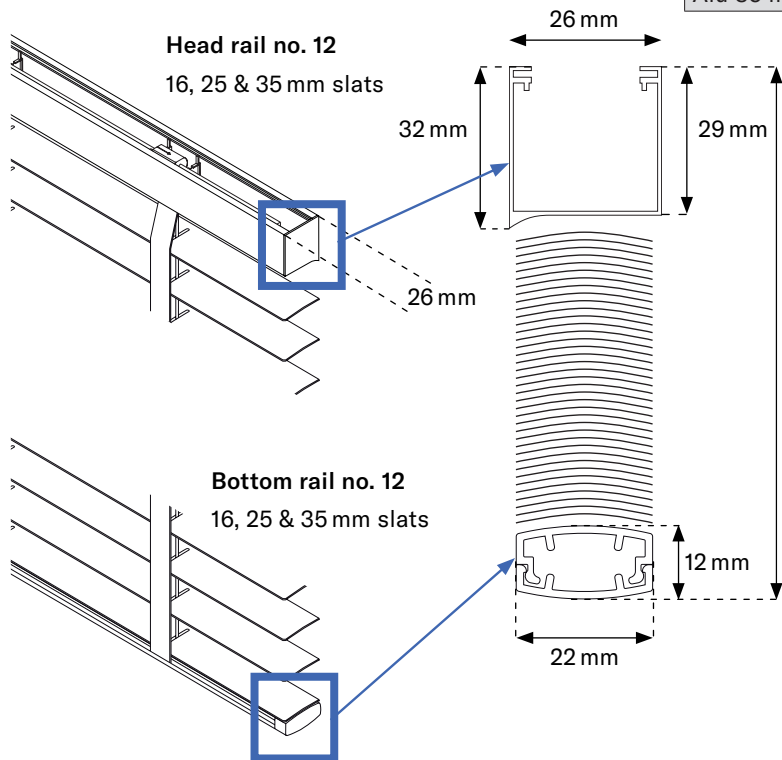
"2 in 1" - Two blinds in one single head rail
The slat stacks are placed with a 5 mm distance.
Control cords on the outer sides, one left and one right.

• Fitting & dimensions

Stack height with head rail no. 12

HEAD RAIL NO. 12

Slat width	Ladder cord	Blind height in mm				
		1000	1500	2000	2500	3000
Alu 16 mm	2 mm	85	105	125	145	165
Alu 25 mm	2 mm	65	80	95	110	125
Alu 35 mm	2 mm	55	70	85	95	105



HEAD RAIL NO. 32

Stack height with head rail no. 32

Slat type	Ladder cord, ladder tape	Blind height in mm				
		1000	1500	2000	2500	3000
Alu 50 mm	2 mm	110	120	130	140	150
	10, 24, 38 mm	130	150	165	180	200
Alu 70 mm	2 mm	100	110	120	130	140
Trans 50 mm	2 mm	130	155	180	205	230
	10, 24, 38 mm	150	180	210	240	270
Trans 70 mm	2 mm	150	170	190	215	240

